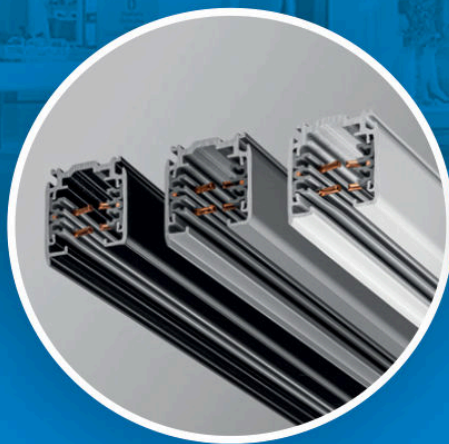


GLOBAL track®

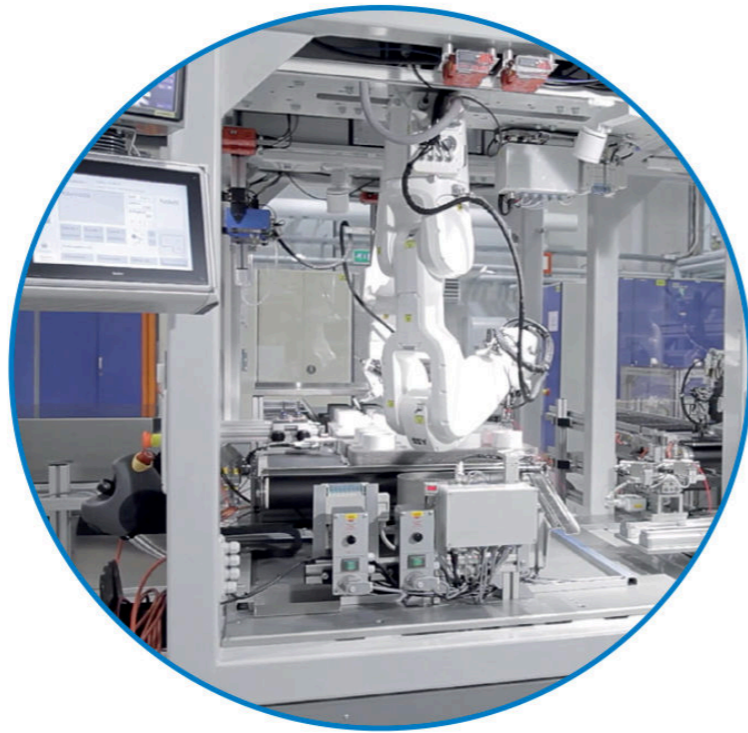
The Market Leader and
Pioneer in Professional
Track Lighting Solutions



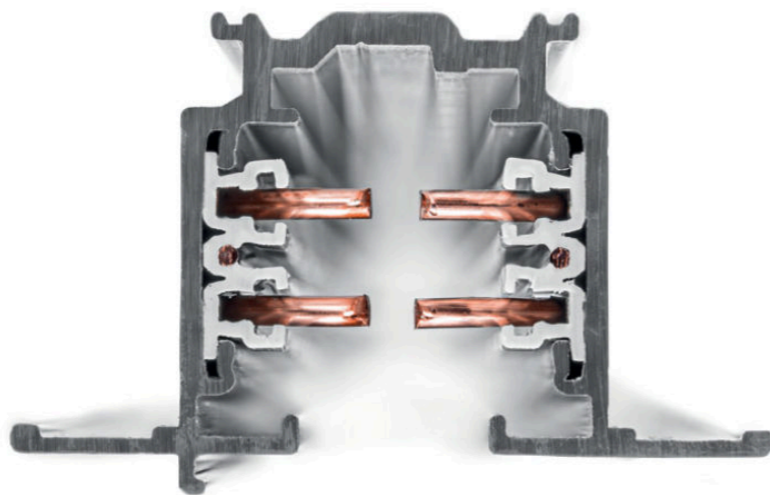
NORDIC  ALUMINIUM

LIVAL GROUP

www.nordicaluminium.fi • www.lival.com



The Market Leader
and Pioneer in
Professional Track
Lighting Solutions



GLOBAL trac

THE EASY WAY TO
BUILD UP YOUR
RETAIL LIGHTING

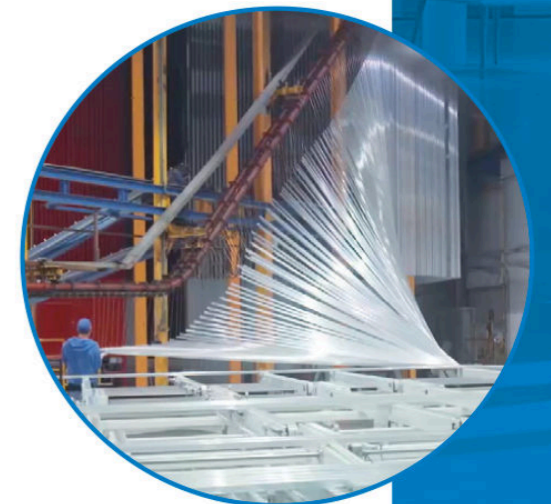
Our highly automated, state-of-the-art factories **in Finland** help us match customer demand at all times and guarantee, that we can manufacture and deliver a comprehensive portfolio of electrotechnical solutions quickly and cost-effectively.

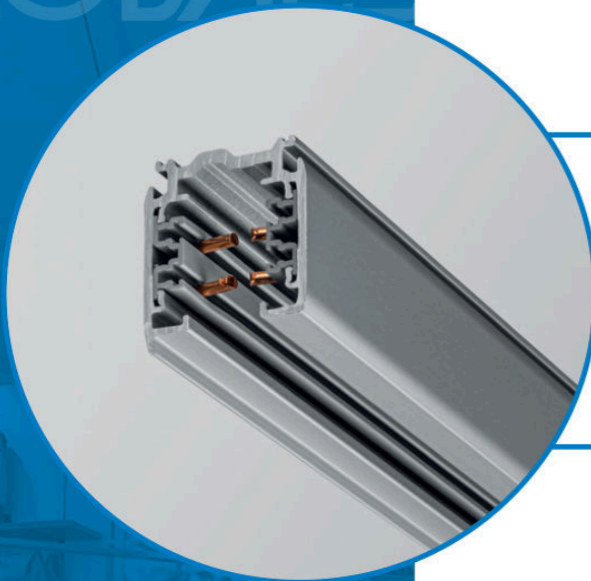
With capacity for lighting tracks exceeding 5 million meters annually, Nordic Aluminium today has a position as a globally leading manufacturer.

GLOBAL trac is a registered trademark of Nordic Aluminium.

NORDIC ALUMINIUM
LIVAL GROUP

www.nordicaluminium.fi

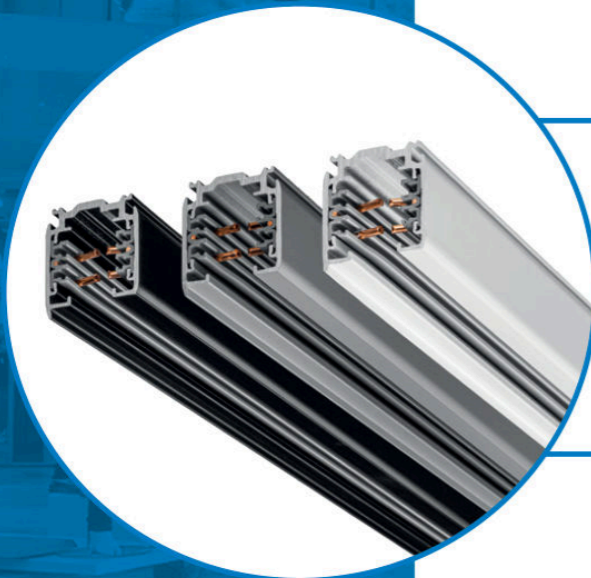




GLOBAL Trac Pro

L1/L2/L3/neutral/ground
16 A/400 V. IP20

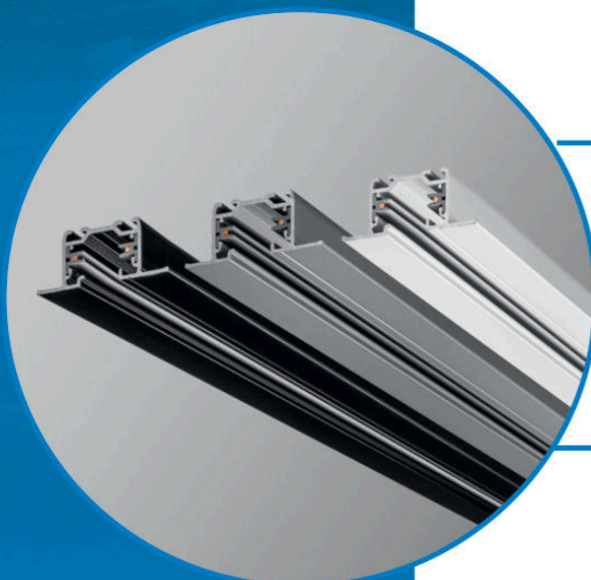
pages 6-9



GLOBAL Trac Pulse control

L1/L2/L3/neutral/ground 16 A/400 V
+ control 2 x 1 A/50 FELV AC DALI (FELV),
KNX, LON, EIB, 1-10 V etc. compatible

pages 10-13



GLOBAL Trac Base

L1/16 A/230 V. IP20

pages 14-17



GLOBAL Trac Suspension parts

GLOBAL Trac Pro, GLOBAL Pulse control,
GLOBAL Trac Base

pages 18-25



GLOBAL Trac Adapters & In-Track Adapter-Drivers

Compatible with variety of track systems
available in the market

pages 26-35

First on the market



GLOBAL Trac Spot & Flood Lights Linear LED Lights

pages 38-39

GLOBAL Trac Pro

GLOBAL Trac Pro is the most sold three-circuit lighting track system in the world. It is the quality choice of professionals and lighting manufacturers. Long experience and 100% quality assurance ensure problem-free operation.



GLOBAL Trac Pro's **high load capacity** and circuit-specific control option can be used in various spaces, including shops, department stores, public buildings, restaurants, airports and offices.

Easy to extend

The modular structure of the system makes it easy to extend and adapt to various needs. Modular dimensions help designers fit the system into the appropriate space and also make on-site mounting easier. **Reliable connectors ensure fast and easy installation** resulting in overall cost savings.

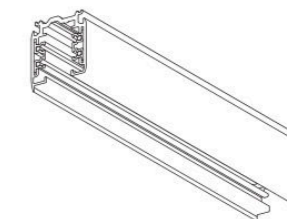
GLOBAL Trac Pro

Available colours: -1 Global grey, -2 black (RAL 9005), -3 white (RAL 9016).

Surface Mounted Tracks:

Purchase Code	Type	EAN code	Length (mm)	Colour	PCS/Package
KKT301144	XTS 4100-1	6410014500566	1000	Grey	4/240
KKT301152	XTS 4100-2	6410014506018	1000	Black	4/240
KKT301158	XTS 4100-3	6410014507060	1000	White	4/240
KKT301171	XTS 4200-1	6410014500597	2000	Grey	4/240
KKT301179	XTS 4200-2	6410014506025	2000	Black	4/240
KKT301185	XTS 4200-3	6410014507077	2000	White	4/240
KKT301111	XTS 4300-1	6410014500856	3000	Grey	4/240
KKT301119	XTS 4300-2	6410014506032	3000	Black	4/240
KKT301115	XTS 4300-3	6410014507084	3000	White	4/240
KKT301124	XTS 4400-1	6410014500863	4000	Grey	4/240
KKT301131	XTS 4400-2	6410014506049	4000	Black	4/240
KKT301136	XTS 4400-3	6410014507091	4000	White	4/240

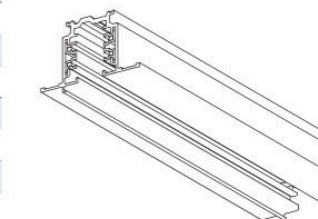
XTS 4100-4400 Surface



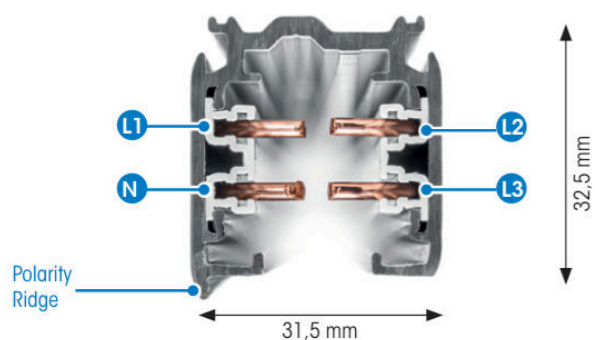
Recessed Tracks:

Purchase Code	Type	EAN code	Length (mm)	Colour	PCS/Package
KKT301194	XTSF 4100-1	6410014500870	1000	Grey	6/180
KKT3011100	XTSF 4100-2	6410014506513	1000	Black	6/180
KKT3011105	XTSF 4100-3	6410014507565	1000	White	6/180
KKT3011111	XTSF 4200-1	6410014500597	2000	Grey	6/180
KKT3011118	XTSF 4200-2	6410014506520	2000	Black	6/180
KKT3011123	XTSF 4200-3	6410014507572	2000	White	6/180
KKT3011130	XTSF 4300-1	6410014500894	3000	Grey	6/180
KKT3011137	XTSF 4300-2	6410014506537	3000	Black	6/180
KKT3011142	XTSF 4300-3	6410014507589	3000	White	6/180

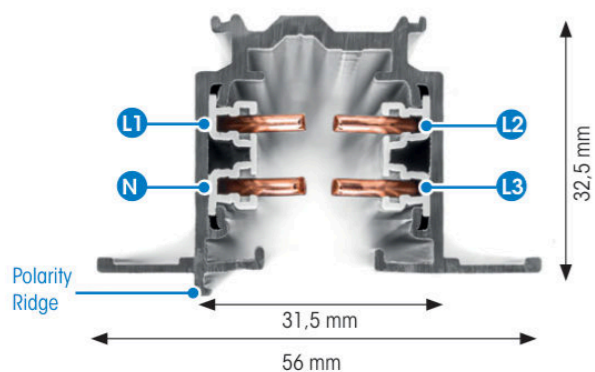
XTSF 4100-4300 Recessed



XTS Surface

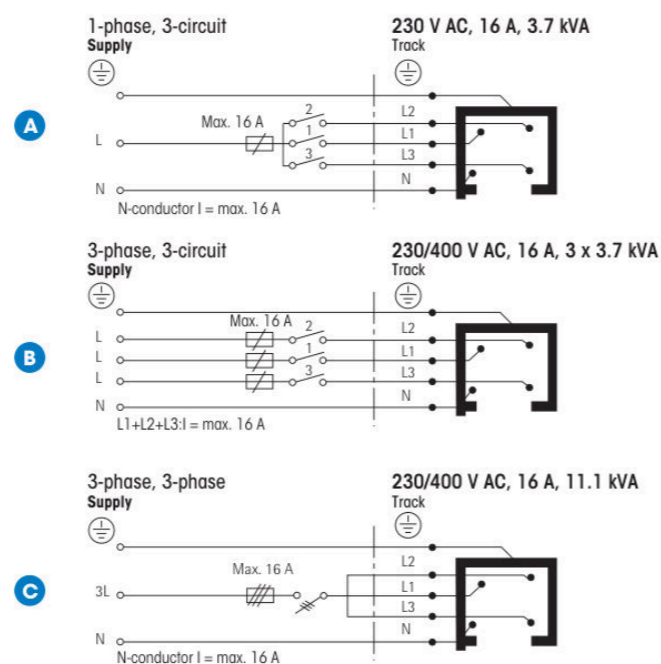


XTSF Recessed



GLOBAL Trac Pro

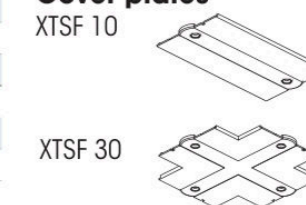
Power Conductor Cross-Section: 4,0mm²



Recessed Track Accessories:

Purchase Code	Type	EAN code	Accessories	Colour	PCS/Package
KKT3011101	XTSF 10-1	6410014500412	Cover plate: XTS11-14	Grey	1/100
KKT3012180	XTSF 10-2	6410014506612	Cover plate: XTS11-14	Black	1/100
KKT3012183	XTSF 10-3	6410014507619	Cover plate: XTS11-14	White	1/100
KKT3011124	XTSF 30-1	6410014500429	Cover plate: XTS34-40	Grey	1/100
KKT3012186	XTSF 30-2	6410014506629	Cover plate: XTS34-40	Black	1/100
KKT3012189	XTSF 30-3	6410014507626	Cover plate: XTS34-40	White	1/100

Cover plates



Bending tool for track power wires:

KKT30155	XTSV12	6410014500993		Blue	1/100
----------	--------	---------------	--	------	-------

Tool XTSV 12



Cover strip for track opening:

KKT30152	XTSP11-2	6410014530990	Length 3000mm	Black	10/100
KKT30151	XTSP11-3	6410014530983	Length 3000mm	White	10/100

Cover strip XTSP 11



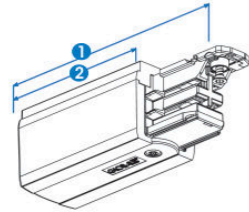
● Markets Strongest Power Carrying Track System - High Load Capacity

GLOBAL Trac Pro Accessories

All materials used are halogen free and VO-self-extinguishing.
Available colors: -1 grey (RAL 7040), -2 black (RAL 9005), -3 white (RAL 9016).

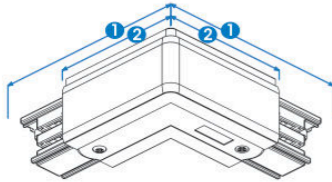
End feed XTS 11, 12

1. 105 mm, 2. 66 mm



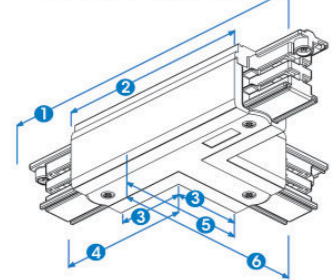
L-feed XTS 34, 35

1. 99 mm, 2. 66 mm



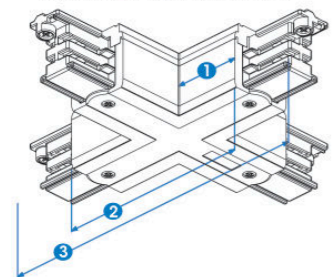
T-feed XTS 36, 37, 39, 40

1. 166 mm, 2. 100 mm, 3. 34 mm
4. 67 mm, 5. 66 mm, 6. 99 mm



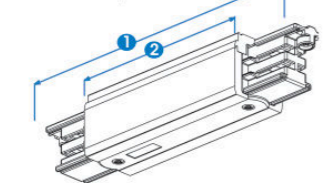
X-feed XTS 38

1. 34 mm, 2. 100 mm, 3. 166 mm



Middle feed XTS 14

1. 166 mm, 2. 100 mm



End Feeds:

Purchase Code	Type	EAN code	Polarity Ridge	Colour	PCS/ Package
KKT30122	XTS11-1	6410014507152		Grey	1/100
KKT30123	XTS11-2	6410014506117		Black	1/100
KKT30129	XTS11-3	6410014507114		White	1/100
KKT301218	XTS12-1	6410014507169		Grey	1/100
KKT301219	XTS12-2	6410014506124		Black	1/100
KKT301224	XTS12-3	6410014507121		White	1/100

Connectors with Power Supply Option:

KKT301283	XTS34-1	6410014507251		Grey	1/25
KKT301284	XTS34-2	6410014506346		Black	1/25
KKT301289	XTS34-3	6410014507343		White	1/25
KKT301296	XTS35-1	6410014507268		Grey	1/25
KKT301297	XTS35-2	6410014506353		Black	1/25
KKT3012102	XTS35-3	6410014507350		White	1/25

KKT3012109	XTS36-1	6410014507275		Grey	1/25
KKT3012110	XTS36-2	6410014506360		Black	1/25
KKT3012115	XTS36-3	6410014507367		White	1/25
KKT3012122	XTS37-1	6410014507282		Grey	1/25
KKT3012123	XTS37-2	6410014506377		Black	1/25
KKT3012127	XTS37-3	6410014507374		White	1/25
KKT3012144	XTS39-1	6410014507305		Grey	1/25
KKT3012145	XTS39-2	6410014506391		Black	1/25
KKT3012149	XTS39-3	6410014507398		White	1/25
KKT3012156	XTS40-1	6410014507312		Grey	1/25
KKT3012157	XTS40-2	6410014506407		Black	1/25
KKT3012161	XTS40-3	6410014507404		White	1/25

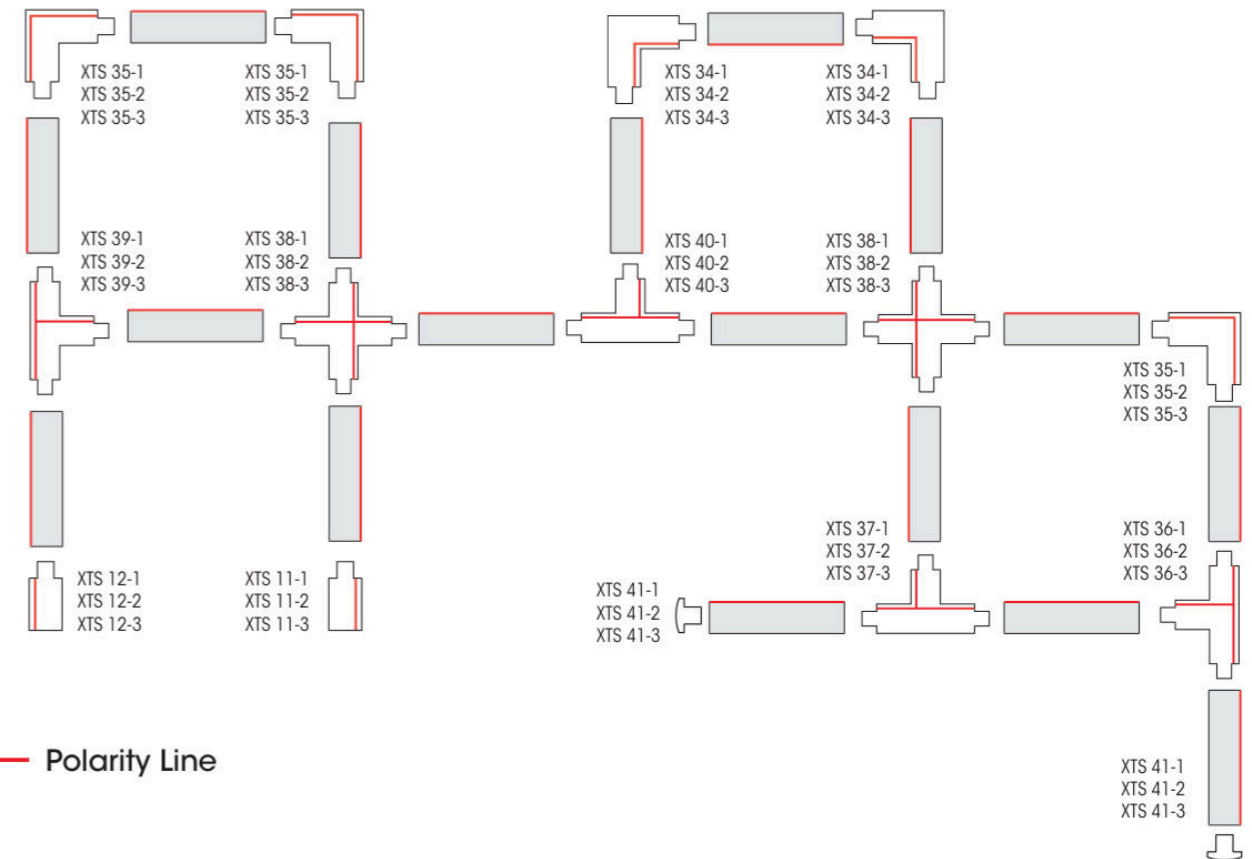
KKT3012131	XTS38-1	6410014507299		Grey	1/25
KKT3012132	XTS38-2	6410014506384		Black	1/25
KKT3012136	XTS38-3	6410014507381		White	1/25

KKT301232	XTS14-1	6410014507176	Grey	1/50
KKT301233	XTS14-2	6410014506148	Black	1/50
KKT301233	XTS14-3	6410014507145	White	1/50

● *Reliable Connectors with Minimal Voltage Drop*

Polarity in Trac Pro

Use of L-, T- and X- Feed. Red line indicates polarity ridge



— Polarity Line

Connectors without option for power supply:

Purchase Code	Type	EAN code	Colour	PCS/ Package
KKT301245	XTS21-1	6410014507183	Grey	1/100
KKT301246	XTS21-2	6410014506216	Black	1/100
KKT301253	XTS21-3	6410014507213	White	1/100

KKT301260	XTS23-1	6410014507206	Grey	1/25
KKT301261	XTS23-2	6410014506230	Black	1/25
KKT301265	XTS23-3	6410014507237	White	1/25

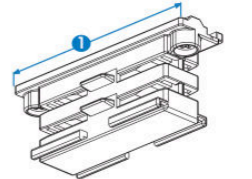
KKT301271	XTS24-1	6410014507190	Grey	1/25
KKT301272	XTS24-2	6410014506247	Black	1/25
KKT301276	XTS24-3	6410014507244	White	1/25

End Cap:

KKT3012165	XTS41-1	6410014507329	Grey	1/100
KKT3012166	XTS41-2	6410014506414	Black	1/100
KKT3012172	XTS41-3	6410014507411	White	1/100

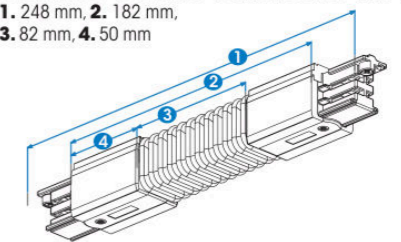
Straight connector

XTS 21
1. 68 mm



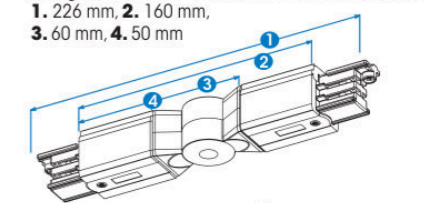
Flexible corner connector XTS 23

1. 248 mm, 2. 182 mm,
3. 82 mm, 4. 50 mm



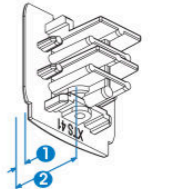
Adjustable corner connector XTS 24

1. 226 mm, 2. 160 mm,
3. 60 mm, 4. 50 mm



End cap XTS 41

1. 3 mm, 2. 21 mm



GLOBAL Trac Pulse control

GLOBAL Trac Pulse control is a lighting track system that includes both normal input voltage and wires for transmitting the control signal to the lights.

This makes it possible to use smart control systems like DALI, KNX, LON, and EIB without central units. Various manufacturers provide control units, detectors and fixtures for the control systems which all share the same goal: to transmit the control signal to individual lights using the GLOBAL Trac Pulse control's wires and to create dynamic lighting.

Needs-based lighting

Dynamic lighting means that the lighting changes according to the situation and need. Lights can be turned on and off, brightened or dimmed flexibly as separate groups. This also saves energy, because lights are only turned on where necessary.



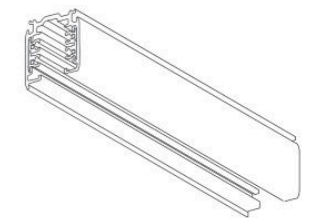
GLOBAL Trac Pulse control tracks

Available colours: -1 Global grey, -2 black (RAL 9005), -3 white (RAL 9016).

Surface Mounted Tracks:

Purchase Code	Type	EAN code	Length (mm)	Colour	PCS/Package
KKT30511	XTSC6100-1	6410014531423	1000	Grey	4/240
KKT30512	XTSC6100-2	6410014531430	1000	Black	4/240
KKT30513	XTSC6100-3	6410014531478	1000	White	4/240
KKT30521	XTSC6200-1	6410014531485	2000	Grey	4/240
KKT30522	XTSC6200-2	6410014531492	2000	Black	4/240
KKT30523	XTSC6200-3	6410014531508	2000	White	4/240
KKT30531	XTSC6300-1	6410014531515	3000	Grey	4/240
KKT30532	XTSC6300-2	6410014531522	3000	Black	4/240
KKT30533	XTSC6300-3	6410014531539	3000	White	4/240
KKT30541	XTSC6400-1	6410014531546	4000	Grey	4/240
KKT30542	XTSC6400-2	6410014531553	4000	Black	4/240
KKT30543	XTSC6400-3	6410014531560	4000	White	4/240

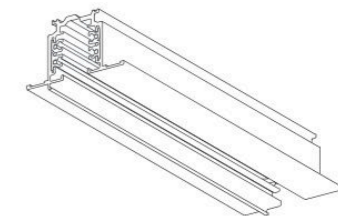
XTSC 6100-6400 Surface



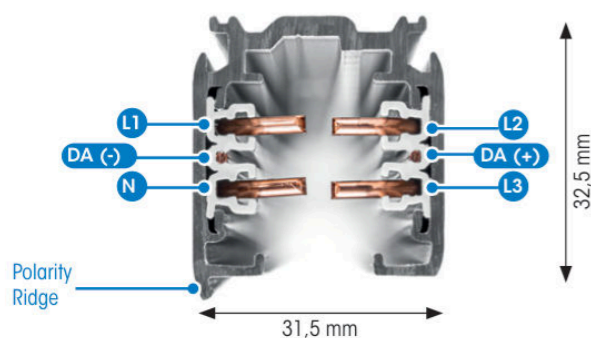
Recessed Tracks:

Purchase Code	Type	EAN code	Length (mm)	Colour	PCS/Package
KKT305011	XTSCF6100-1	6410014531577	1000	Grey	6/180
KKT305012	XTSCF6100-2	6410014531584	1000	Black	6/180
KKT305013	XTSCF6100-3	6410014531591	1000	White	6/180
KKT305021	XTSCF6200-1	6410014531607	2000	Grey	6/180
KKT305022	XTSCF6200-2	6410014531614	2000	Black	6/180
KKT305023	XTSCF6200-3	6410014531621	2000	White	6/180
KKT305031	XTSCF6300-1	6410014531638	3000	Grey	6/180
KKT305032	XTSCF6300-2	6410014531645	3000	Black	6/180
KKT305033	XTSCF6300-3	6410014531683	3000	White	6/180

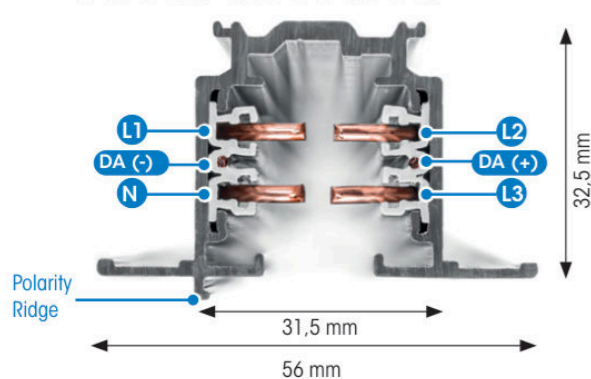
XTSCF 6100-6300 Recessed



XTSC Surface

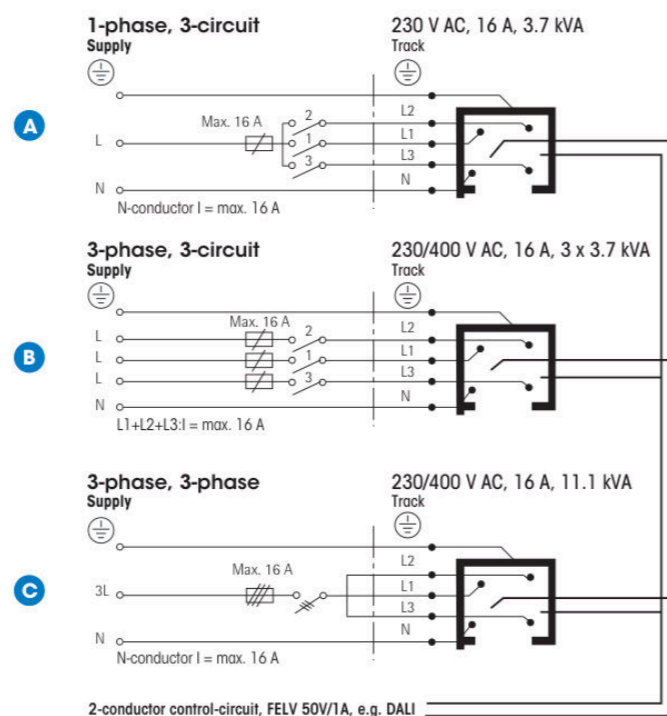


XTSCF Recessed



GLOBAL Trac Pulse control

Power Conductor Cross-Section: 4mm²
Control Conductor Cross-Section: 1,5mm²



Control conductors, max 50V

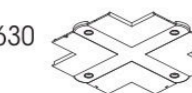
Recessed Track Accessories:

Purchase Code	Type	EAN code	Description	Colour	PCS/Package
KKT304101	XTSF610-1	6410014532772	Cover plate : XTSC611-614	Grey	1/100
KKT304102	XTSF610-2	6410014532802	Cover plate : XTSC611-614	Black	1/100
KKT304103	XTSF610-3	6410014532819	Cover plate : XTSC611-614	White	1/100
KKT304301	XTSF630-1	6410014532826	Cover plate : XTSC634-640	Grey	1/100
KKT304302	XTSF630-2	6410014532833	Cover plate : XTSC634-640	Black	1/100
KKT304303	XTSF630-3	6410014532840	Cover plate : XTSC634-640	White	1/100

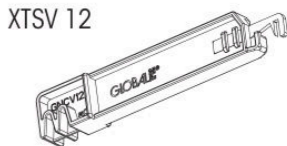
Cover plates XTSCF 610



XTSF 630



Tool XTSV 12



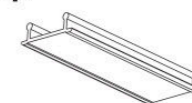
Bending tool for track power wires:

KKT30155	XTSV12	6410014500993		Blue	1/100
----------	--------	---------------	--	------	-------

Cover strip for track opening:

KKT30152	XTSP11-2	6410014530990	Length 3000mm	Black	10/100
KKT30151	XTSP11-3	6410014530983	Length 3000mm	White	10/100

Cover strip XTSP 11

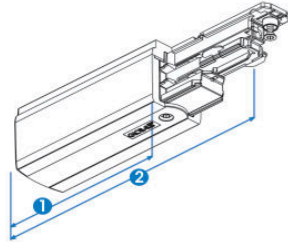


GLOBAL Trac Pulse control accessories

All materials are halogen free and VO self-extinguishing.
Available colours: -1 grey (RAL 7040), -2 black (RAL 9005), -3 white (RAL 9016).

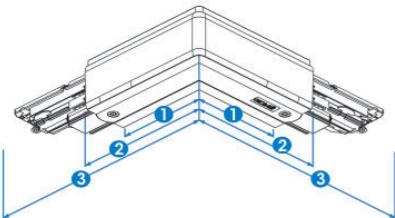
End feed XTSC 611, 612

1. 90 mm, 2. 155 mm



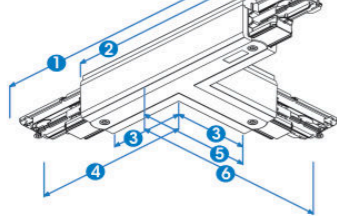
L-feed XTSNC 634, 635

1. 59 mm, 2. 91 mm, 3. 156 mm



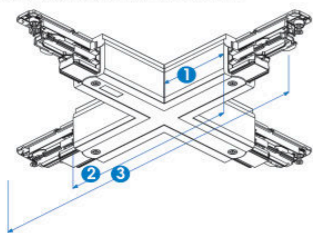
T-feed XTSNC 636, 637, 639, 640

1. 280 mm, 2. 150 mm, 3. 59 mm
4. 124 mm, 5. 91 mm
6. 156 mm



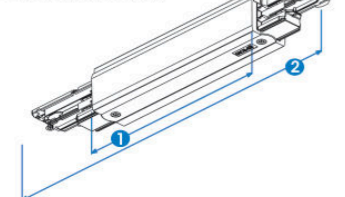
X-feed XTSNC 638

1. 59 mm, 2. 150 mm, 3. 280 mm



Middle feed XTSNC 614

1. 150 mm, 2. 280 mm



End Feeds:

Purchase Code	Type	EAN code	Polarity Ridge	Colour	PCS/ Package
KKT305111	XTSC611-1	6410014532376		Grey	1/50
KKT305112	XTSC611-2	6410014532383		Black	1/50
KKT305113	XTSC611-3	6410014532390		White	1/50
KKT305121	XTSC612-1	6410014532406		Grey	1/50
KKT305122	XTSC612-2	6410014532413		Black	1/50
KKT305123	XTSC612-3	6410014532420		White	1/50

Connectors with Power Supply Option:

Purchase Code	Type	EAN code	Polarity Ridge	Colour	PCS/ Package
KKT3053412	XTSNC634-1	6410014501006		Grey	1/25
KKT3053422	XTSNC634-2	6410014501013		Black	1/25
KKT3053432	XTSNC634-3	6410014501020		White	1/25
KKT3053512	XTSNC635-1	6410014501037		Grey	1/25
KKT3053522	XTSNC635-2	6410014501044		Black	1/25
KKT3053532	XTSNC635-3	6410014501051		White	1/25

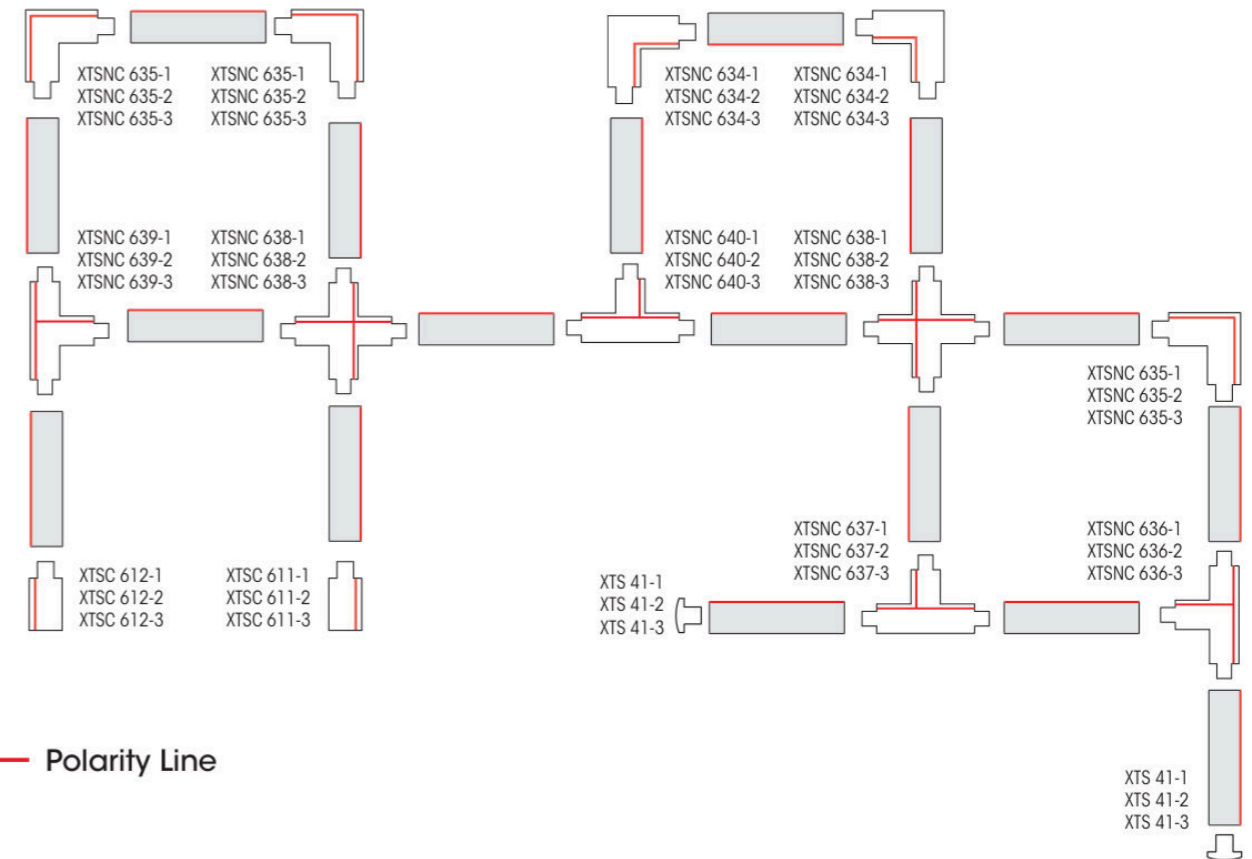
Purchase Code	Type	EAN code	Polarity Ridge	Colour	PCS/ Package
KKT3053612	XTSNC636-1	6410014501068		Grey	1/20
KKT3053622	XTSNC636-2	6410014501075		Black	1/20
KKT3053632	XTSNC636-3	6410014501082		White	1/20
KKT3053712	XTSNC637-1	6410014501099		Grey	1/20
KKT3053722	XTSNC637-2	6410014501105		Black	1/20
KKT3053732	XTSNC637-3	6410014501112		White	1/20
KKT3053912	XTSNC639-1	6410014501129		Grey	1/20
KKT3053922	XTSNC639-2	6410014501136		Black	1/20
KKT3053932	XTSNC639-3	6410014501143		White	1/20
KKT3054012	XTSNC640-1	6410014501150		Grey	1/20
KKT3054022	XTSNC640-2	6410014501167		Black	1/20
KKT3054032	XTSNC640-3	6410014501174		White	1/20

Purchase Code	Type	EAN code	Polarity Ridge	Colour	PCS/ Package
KKT3053812	XTSNC638-1	6410014501181		Grey	1/10
KKT3053822	XTSNC638-2	6410014501198		Black	1/10
KKT3053832	XTSNC638-3	6410014501204		White	1/10

Purchase Code	Type	EAN code	Colour	PCS/ Package
KKT3051412	XTSNC614-1	6410014501211	Grey	1/25
KKT3051422	XTSNC614-2	6410014501228	Black	1/25
KKT3051432	XTSNC614-3	6410014501235	White	1/25

Polarity in Trac Pulse

Use of L-, T- and X- Feed. Red line indicates polarity ridge



Connectors without option for power supply:

Purchase Code	Type	EAN code	Colour	PCS/ Package
KKT304211	XTSC621-1	6410014532109	Grey	1/100
KKT304212	XTSC621-2	6410014532116	Black	1/100
KKT304213	XTSC621-3	6410014532123	White	1/100

KKT305231	XTSC623-1	6410014532130	Grey	1/25
KKT305232	XTSC623-2	6410014532147	Black	1/25
KKT305233	XTSC623-3	6410014532154	White	1/25

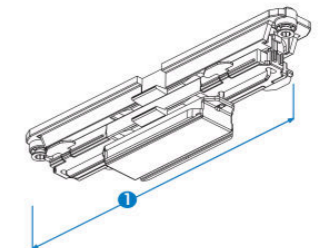
End Cap:

KKT3012165	XTS41-1	6410014507329	Grey	1/100
KKT3012166	XTS41-2	6410014506414	Black	1/100
KKT3012172	XTS41-3	6410014507411	White	1/100

Straight connector

XTSC 621

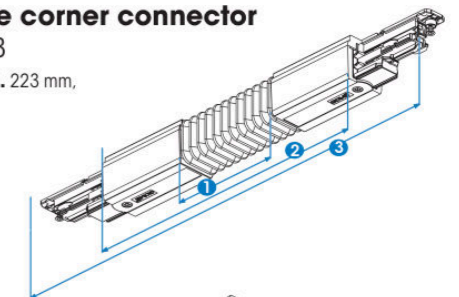
1. 120 mm



Flexible corner connector

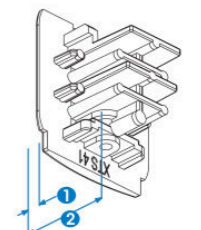
XTSC 623

1. 82 mm, 2. 223 mm,
3. 353 mm



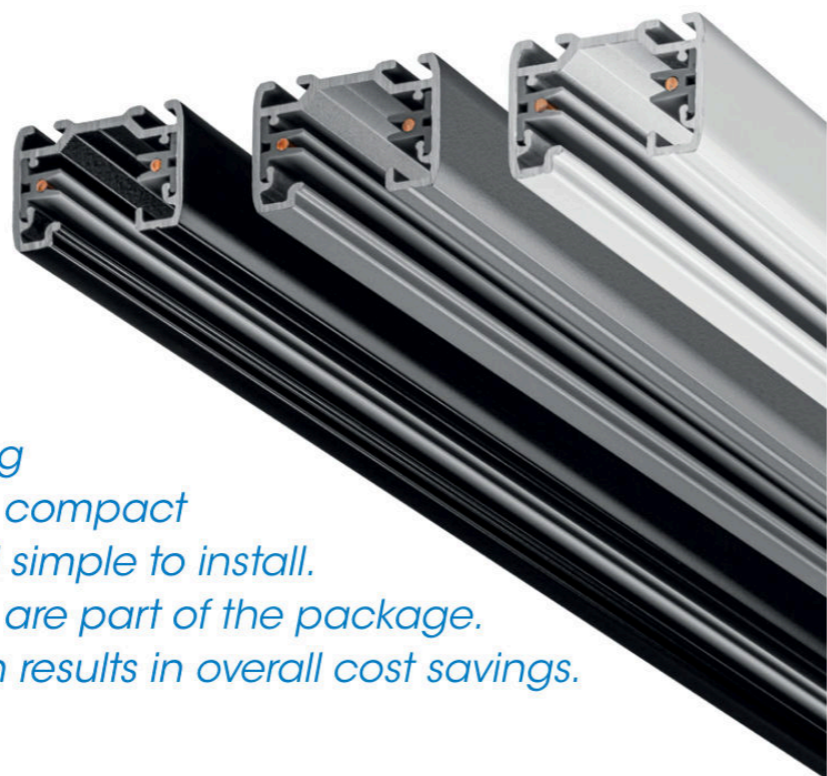
End cap XTS 41

1. 3 mm, 2. 21 mm



● Flexibility - Enabling Energy Savings

GLOBAL Trac Base



GLOBAL Trac Base is a compact, elegant looking one-circuit basic track. The compact track is light to handle and simple to install. Diverse installation options are part of the package. Quick and easy installation results in overall cost savings.

Wide area of use from homes to exhibition stands

GLOBAL Trac Base is for places where the discrete and elegant appearance of the one-circuit track is most useful: homes, shop windows and exhibition structures.

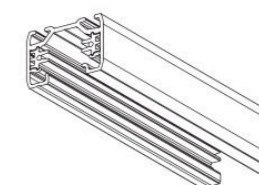
GLOBAL Trac Base Tracks

Available colours: -1 Global grey, -2 black (RAL 9005), -3 white (RAL 9016).

Surface Mounted Tracks:

Purchase Code	Type	EAN code	Length (mm)	Colour	PCS/ Package
KKT30313	GB2100-1	6410014509019	1000	Grey	8/480
KKT30317	GB2100-2	6410014508012	1000	Black	8/480
KKT303111	GB2100-3	6410014509064	1000	White	8/480
KKT303121	GB2200-1	6410014509026	2000	Grey	8/480
KKT303125	GB2200-2	6410014508029	2000	Black	8/480
KKT303129	GB2200-3	6410014509071	2000	White	8/480
KKT303136	GB2300-1	6410014509033	3000	Grey	8/480
KKT303140	GB2300-2	6410014508036	3000	Black	8/480
KKT303144	GB2300-3	6410014509088	3000	White	8/480

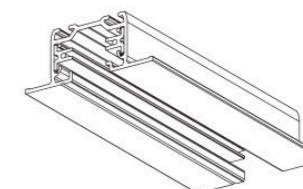
GB
2100-2300
Surface



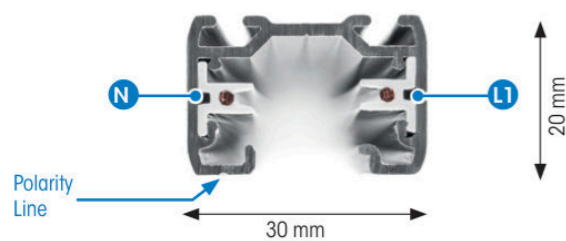
Recessed Tracks:

KKT303169	GBF2100-1	6410014509866	1000	Grey	6/180
KKT303172	GBF2100-2	6410014508913	1000	Black	6/180
KKT303174	GBF2100-3	6410014509910	1000	White	6/180
KKT303177	GBF2200-1	6410014509873	2000	Grey	6/180
KKT303180	GBF2200-2	6410014508920	2000	Black	6/180
KKT303182	GBF2200-3	6410014509927	2000	White	6/180
KKT303185	GBF2300-1	6410014509880	3000	Grey	6/180
KKT303188	GBF2300-2	6410014508937	3000	Black	6/180
KKT303190	GBF2300-3	6410014509934	3000	White	6/180

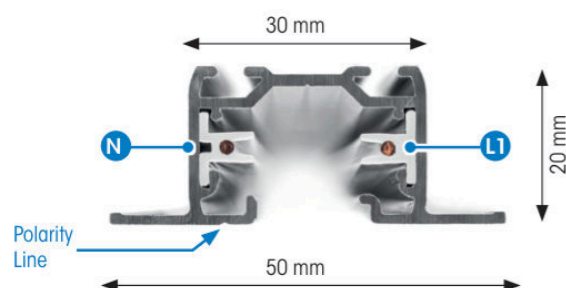
GBF
2100-2300
Recessed



GB Surface



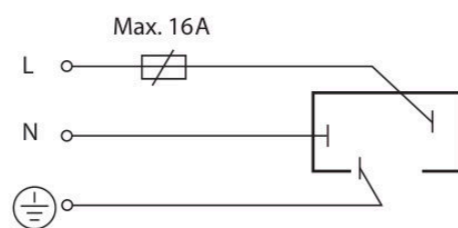
GBF Recessed



GLOBAL Trac Base

Power Conductor Cross-Section: 2,5mm²

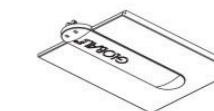
Connection
230 V AC, 16 A, 3.7 kW



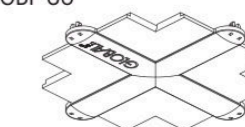
Recessed Track Accessories:

KKT303281	GBF10-1	6410014501518	Cover plate : GB11-12	Grey	1/100
KKT303273	GBF10-2	6410014508821	Cover plate : GB11-12	Black	1/100
KKT303274	GBF10-3	6410014509828	Cover plate : GB11-12	White	1/100
KKT303271	GBF30-1	6410014501525	Cover plate : GB14-40	Grey	1/100
KKT303275	GBF30-2	6410014508838	Cover plate : GB14-40	Black	1/100
KKT303276	GBF30-3	6410014509835	Cover plate : GB14-40	White	1/100

Outlet cover plate
GBF 10



GBF 30



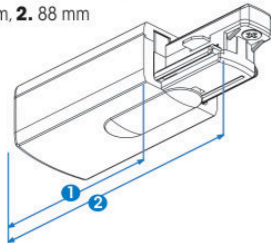
- *Lightweight but Durable*

Global Trac Base accessories

All materials are halogen free and VO self-extinguishing.
Available colours: -1 grey (RAL 7040), -2 black (RAL 9005), -3 white (RAL 9016).

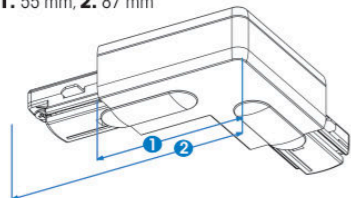
End feed GB 11, 12

1. 55 mm, 2. 88 mm



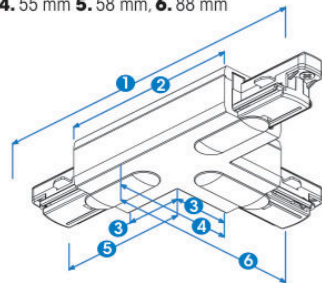
L-feed GB 34, 35

1. 55 mm, 2. 87 mm



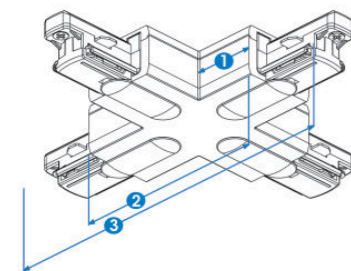
T-feed GB 36, 37, 39, 40

1. 145 mm, 2. 80 mm, 3. 25 mm,
4. 55 mm, 5. 58 mm, 6. 88 mm



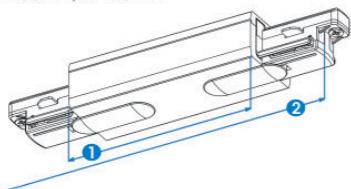
X-feed GB 38

1. 25 mm, 2. 80 mm, 3. 145 mm



Middle feed GB 14

1. 80 mm, 2. 145 mm



End Feeds:

Purchase Code	Type	EAN code	Polarity Ridge	Colour	PCS/ Package
KKT30321	GB11-1	6410014509156		Grey	1/100
KKT30322	GB11-2	6410014508111		Black	1/100
KKT30324	GB11-3	6410014509118		White	1/100
KKT303210	GB12-1	6410014509163		Grey	1/100
KKT303211	GB12-2	6410014508128		Black	1/100
KKT303213	GB12-3	6410014509125		White	1/100

Global Trac Base connectors with power supply option:

KKT303230	GB34-1	6410014509255		Grey	1/25
KKT303231	GB34-2	6410014508340		Black	1/25
KKT303233	GB34-3	6410014509347		White	1/25
KKT303235	GB35-1	6410014509262		Grey	1/25
KKT303236	GB35-2	6410014508357		Black	1/25
KKT303238	GB35-3	6410014509354		White	1/25

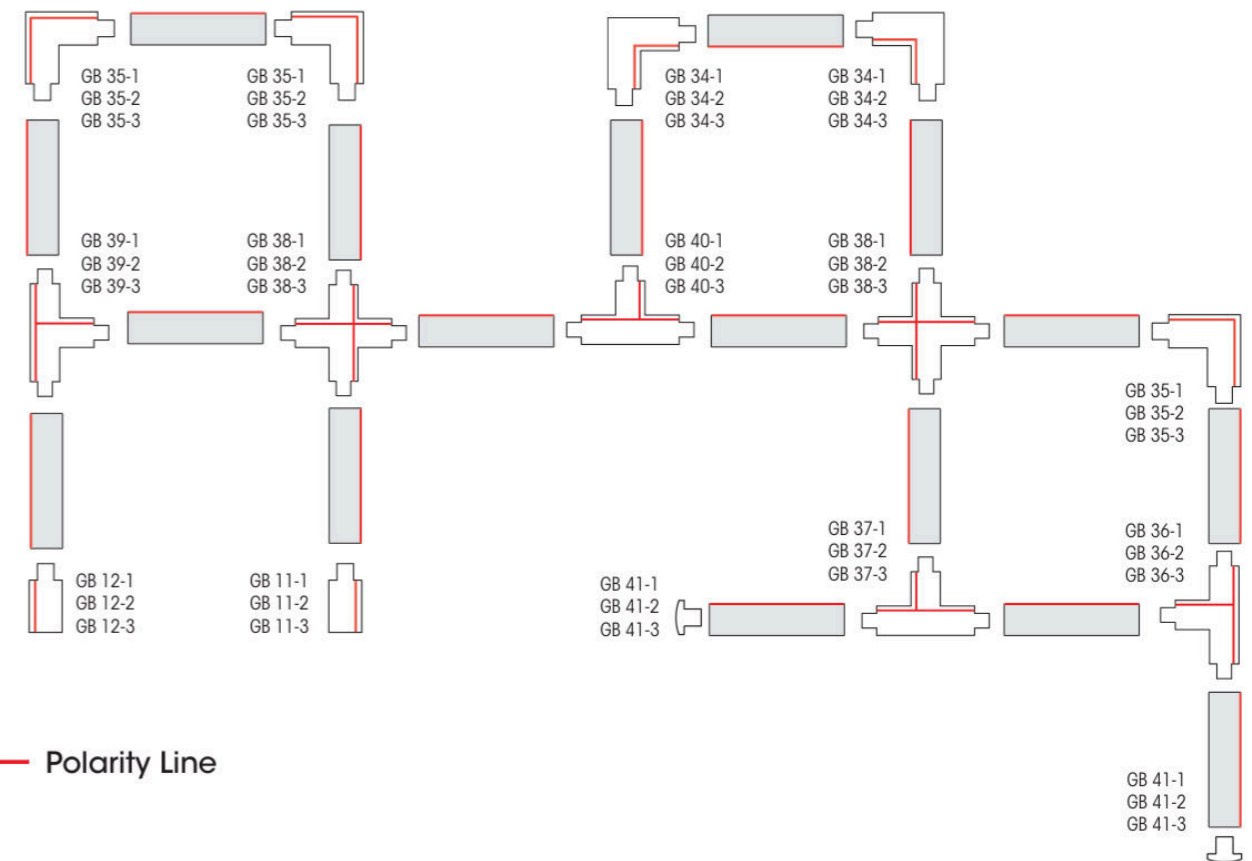
KKT303240	GB36-1	6410014509279		Grey	1/25
KKT303241	GB36-2	6410014508364		Black	1/25
KKT303243	GB36-3	6410014509361		White	1/25
KKT303245	GB37-1	6410014509286		Grey	1/25
KKT303246	GB37-2	6410014508371		Black	1/25
KKT303248	GB37-3	6410014509378		White	1/25
KKT303255	GB39-1	6410014509309		Grey	1/25
KKT303256	GB39-2	6410014508395		Black	1/25
KKT303258	GB39-3	6410014509392		White	1/25
KKT303260	GB40-1	6410014509316		Grey	1/25
KKT303261	GB40-2	6410014508401		Black	1/25
KKT303263	GB40-3	6410014509408		White	1/25

KKT303250	GB38-1	6410014509293		Grey	1/25
KKT303251	GB38-2	6410014508388		Black	1/25
KKT303253	GB38-3	6410014509385		White	1/25

KKT303215	GB14-1	6410014509170	Grey	1/50
KKT303216	GB14-2	6410014508142	Black	1/50
KKT303218	GB14-3	6410014509149	White	1/50

Polarity in Base Trac

Use of L-, T- and X- Feed. Red line indicates polarity ridge



Connectors without option for power supply:

Purchase Code	Type	EAN code	Colour	PCS/ Package
KKT303220	GB21-1	6410014509187	Grey	1/100
KKT303221	GB21-2	6410014508210	Black	1/100
KKT303223	GB21-3	6410014509217	White	1/100

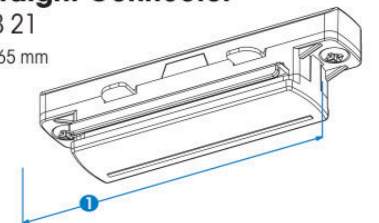
KKT303225	GB24-1	6410014509194	Grey	1/25
KKT303226	GB24-2	6410014508241	Black	1/25
KKT303228	GB24-3	6410014509248	White	1/25

End Cap:

KKT303265	GB41-1	6410014509323	Grey	1/100
KKT303266	GB41-2	6410014508418	Black	1/100
KKT303268	GB41-3	6410014509415	White	1/100

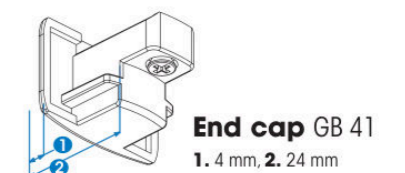
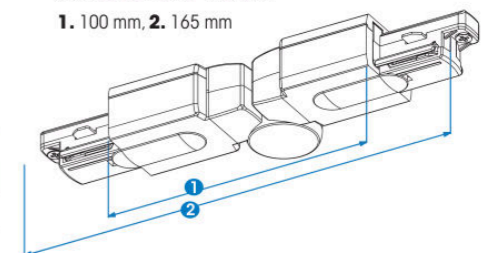
Straight Connector

GB 21
1. 65 mm



Adjustable corner connector GB 24

1. 100 mm, 2. 165 mm

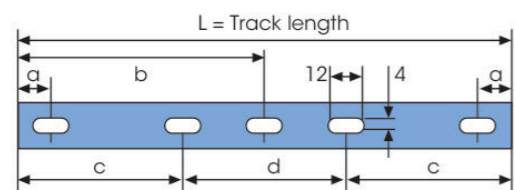


End cap GB 41
1. 4 mm, 2. 24 mm

● Flexible & Affordable

Global Trac Suspension parts Pro & Pulse

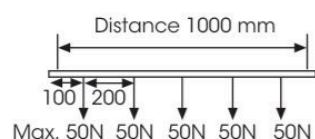
Predrilled Mounting Holes for Pro & Pulse Tracks:



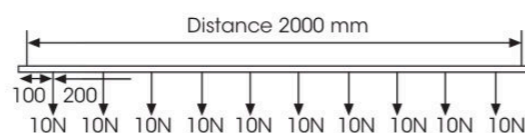
*Screw diameter max. 4mm

L/mm	a/mm	b/mm	c/mm	d/mm
1000	250			
2000	250	1000		
3000	250		1000	1000
4000	250		1500	1000

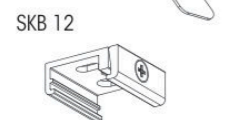
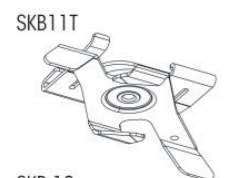
Load Capacity:



The Recommended fastening distance is 1000 mm



Track Mounting Clamps (PRO, PULSE -Series):



Purchase Code	Type	EAN code	Description	Fmax	Colour	PCS/ Package
KKT3014320	SKB11WLC-1	6410014500634	Clip with height adjust for wire OD 1.3-2.4mm	150N	Grey	20/200
KKT3014321	SKB11WLC-2	6410014500641	Clip with height adjust for wire OD 1.3-2.4mm	150N	Black	20/200
KKT3014322	SKB11WLC-3	6410014500658	Clip with height adjust for wire OD 1.3-2.4mm	150N	White	20/200

KKT3014311	SKB11R-1	6410014500665	Clip with M6 mounting	150N	Grey	20/200
KKT3014312	SKB11R-2	6410014500672	Clip with M6 mounting	150N	Black	20/200
KKT3014313	SKB11R-3	6410014500689	Clip with M6 mounting	150N	White	20/200

KKT3014157	SKB11T-1	6410014500603	Clip for T-Bar	50N	Grey	20/200
KKT3014158	SKB11T-2	6410014500610	Clip for T-Bar	50N	Black	20/200
KKT3014159	SKB11T-3	6410014500627	Clip for T-Bar	50N	White	20/200

KKT30143	SKB12-1	6410014500511	Clamp for Rod and Wire	200N	Grey	20/200
KKT301411	SKB12-2	6410014520564	Clamp for Rod and Wire	200N	Black	20/200
KKT301414	SKB12-3	6410014530518	Clamp for Rod and Wire	200N	White	20/200

KKT3014141	SKB12H-1	6410014522629	Clamp height 29mm	200N	Grey	100
KKT3014152	SKB12H-2	6410014522636	Clamp height 29mm	200N	Black	100
KKT3014142	SKB12H-3	6410014522643	Clamp height 29mm	200N	White	100

Track Mounting Clamps (PRO, PULSE -Series):

Purchase Code	Type	EAN code	Description	Fmax	Colour	PCS/ Package
KKT301421	SKB16-1	6410014500535	Suspension clamp	200N	Grey	20/200
KKT3014135	SKB16-2	6410014522650	Suspension clamp	200N	Black	20/200
KKT301427	SKB16-3	6410014530532	Suspension clamp	200N	White	20/200

KKT301429	SKB18-1	6410014500559	Suspension clamp	200N	Grey	10/50
KKT3014139	SKB18-2	6410014522667	Suspension clamp	200N	Black	10/50
KKT301435	SKB18-3	6410014530556	Suspension clamp	200N	White	10/50

KKT301438	SKB21-1	6410014500740	Wall clamp	100N	Grey	5/50
-----------	---------	---------------	------------	------	------	------

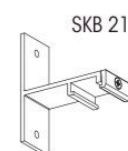
KKT301481	SP4R-1	6410014507688	Clamp with M6 mounting	200N	Grey	1/100
KKT301482	SP4R-2	6410014506919	Clamp with M6 mounting	200N	Black	1/100
KKT301484	SP4R-3	6410014507916	Clamp with M6 mounting	200N	White	1/100

Wire Suspension Sets (PRO, PULSE -Series):

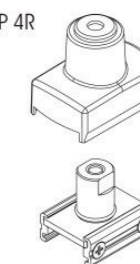
Purchase Code	Type	EAN code	Description	Fmax	Colour	PCS/ Package
KKT315489	SPW11SK-1/1,5M	6410014500696	Track clip wire set 1.5m	150N	Grey	1/100
KKT315492	SPW11SK-1/3M	6410014500764	Track clip wire set 3m	150N	Grey	1/100
KKT315495	SPW11SK-1/5M	6410014500825	Track clip wire set 5m	150N	Grey	1/100
KKT315490	SPW11SK-2/1,5M	6410014500719	Track clip wire set 1.5m	150N	Black	1/100
KKT315493	SPW11SK-2/3M	6410014500771	Track clip wire set 3m	150N	Black	1/100
KKT315496	SPW11SK-2/5M	6410014500832	Track clip wire set 5m	150N	Black	1/100
KKT315491	SPW11SK-3/1,5M	6410014500733	Track clip wire set 1.5m	150N	White	1/100
KKT315494	SPW11SK-3/3M	6410014500788	Track clip wire set 3m	150N	White	1/100
KKT315497	SPW11SK-3/5M	6410014500849	Track clip wire set 5m	150N	White	1/100

KKT315507	SPW11WLC-1/1,5M	6410014501945	Track clip wire set 1.5m	150N	Grey	1/100
KKT315499	SPW11WLC-1/3M	6410014501952	Track clip wire set 3m	150N	Grey	1/100
KKT315510	SPW11WLC-1/5M	6410014501969	Track clip wire set 5m	150N	Grey	1/100
KKT315508	SPW11WLC-2/1,5M	6410014501976	Track clip wire set 1.5m	150N	Black	1/100
KKT315500	SPW11WLC-2/3M	6410014501983	Track clip wire set 3m	150N	Black	1/100
KKT315511	SPW11WLC-2/5M	6410014501990	Track clip wire set 5m	150N	Black	1/100
KKT315509	SPW11WLC-3/1,5M	6410014502003	Track clip wire set 1.5m	150N	White	1/100
KKT315501	SPW11WLC-3/3M	6410014502010	Track clip wire set 3m	150N	White	1/100
KKT315512	SPW11WLC-3/5M	6410014502027	Track clip wire set 5m	150N	White	1/100

KKT315478	SPW12SK-1/1,5M	6410014522964	Track clamp wire set 1.5m	150N	Grey	1/100
KKT315481	SPW12SK-1/3M	6410014500061	Track clamp wire set 3m	150N	Grey	1/100
KKT315484	SPW12SK-1/5M	6410014500078	Track clamp wire set 5m	150N	Grey	1/100
KKT315479	SPW12SK-2/1,5M	6410014522971	Track clamp wire set 1.5m	150N	Black	1/100
KKT315482	SPW12SK-2/3M	6410014500085	Track clamp wire set 3m	150N	Black	1/100
KKT315485	SPW12SK-2/5M	6410014500092	Track clamp wire set 5m	150N	Black	1/100
KKT315480	SPW12SK-3/1,5M	6410014522988	Track clamp wire set 1.5m	150N	White	1/100
KKT315483	SPW12SK-3/3M	6410014500108	Track clamp wire set 3m	150N	White	1/100
KKT315486	SPW12SK-3/5M	6410014500115	Track clamp wire set 5m	150N	White	1/100



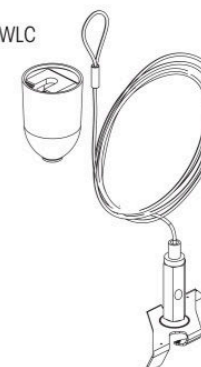
SP 4R



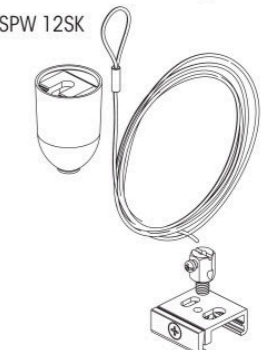
SPW11SK



SPW11WLC

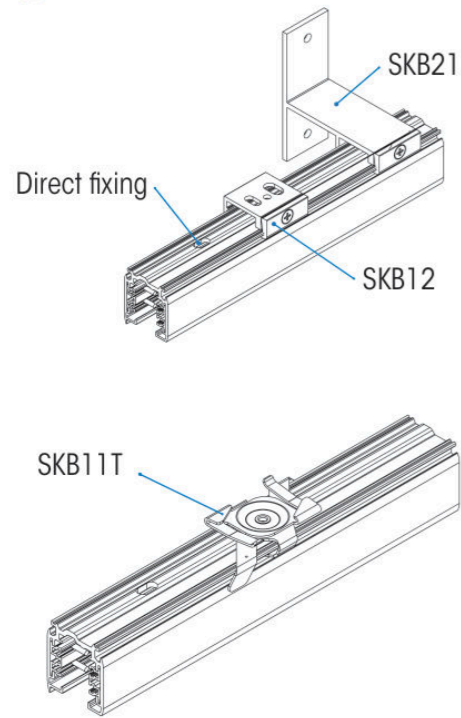


SPW12SK



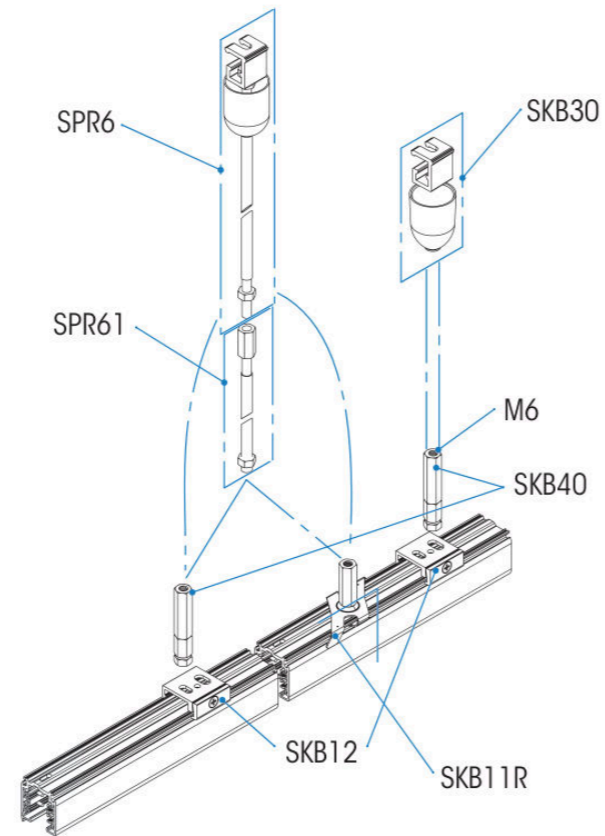
Global Trac Pro & Pulse – Suspension Options

Direct

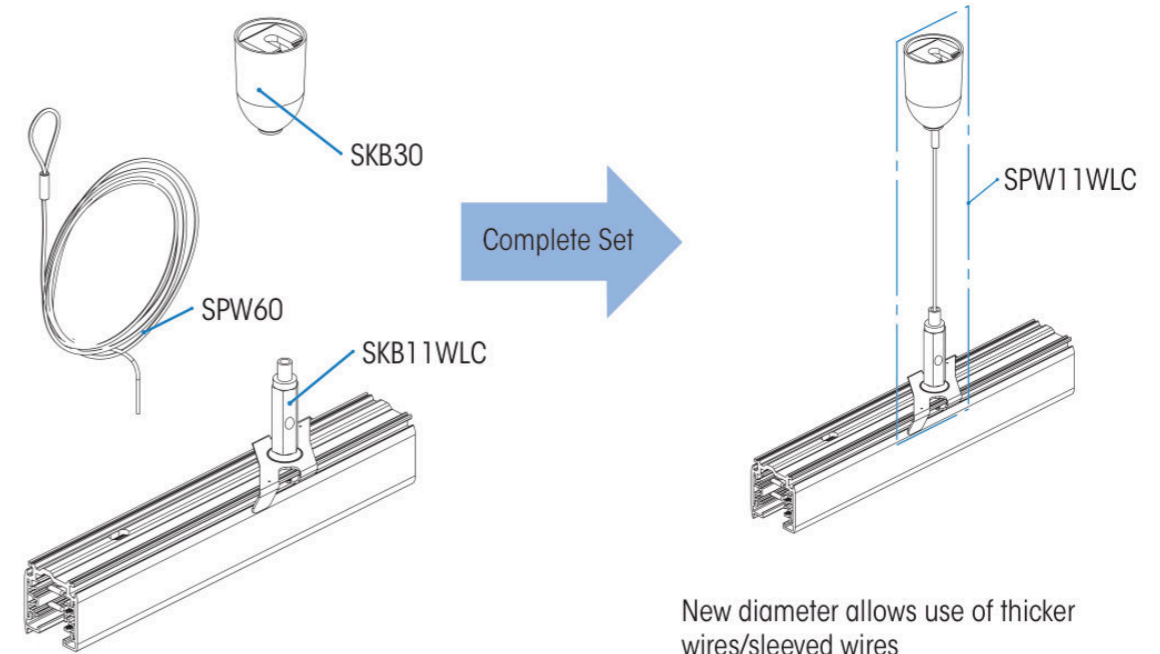


Fmax 50N / Track clip only, T-bar according to the manufacturer. Recommended distance between clips 750mm

Rod Suspension



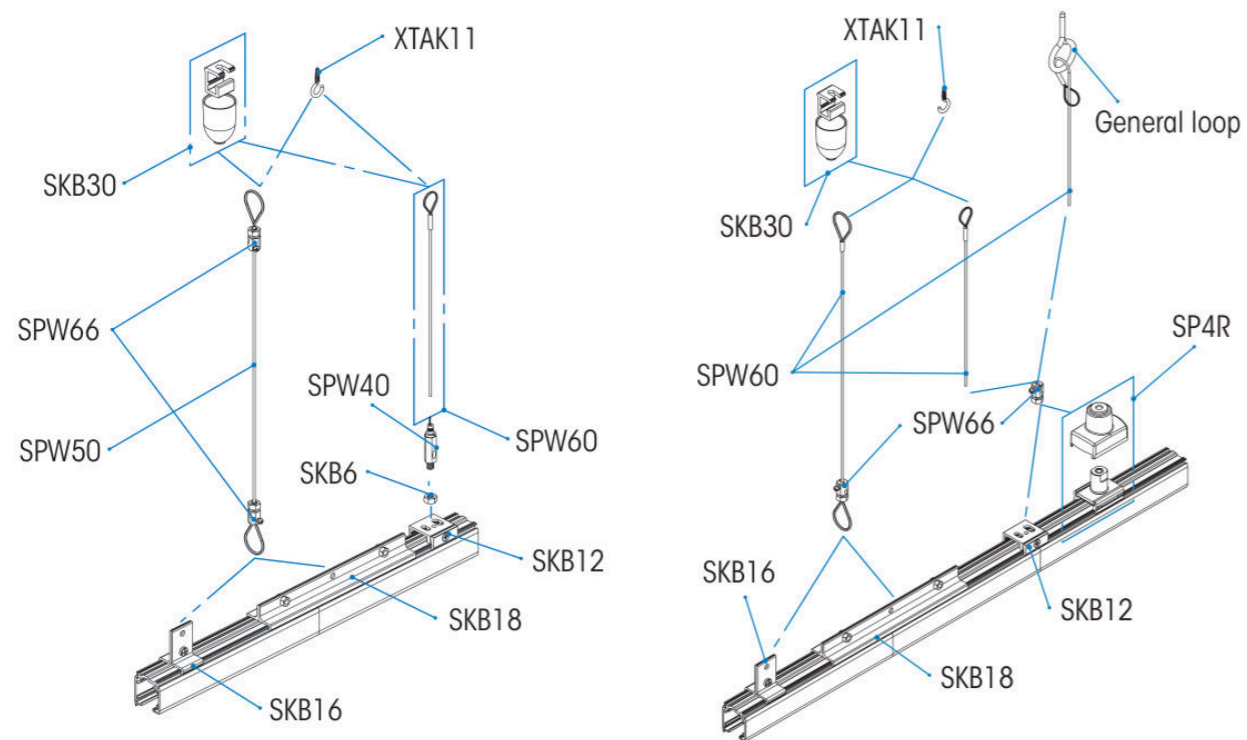
Wire Suspension set



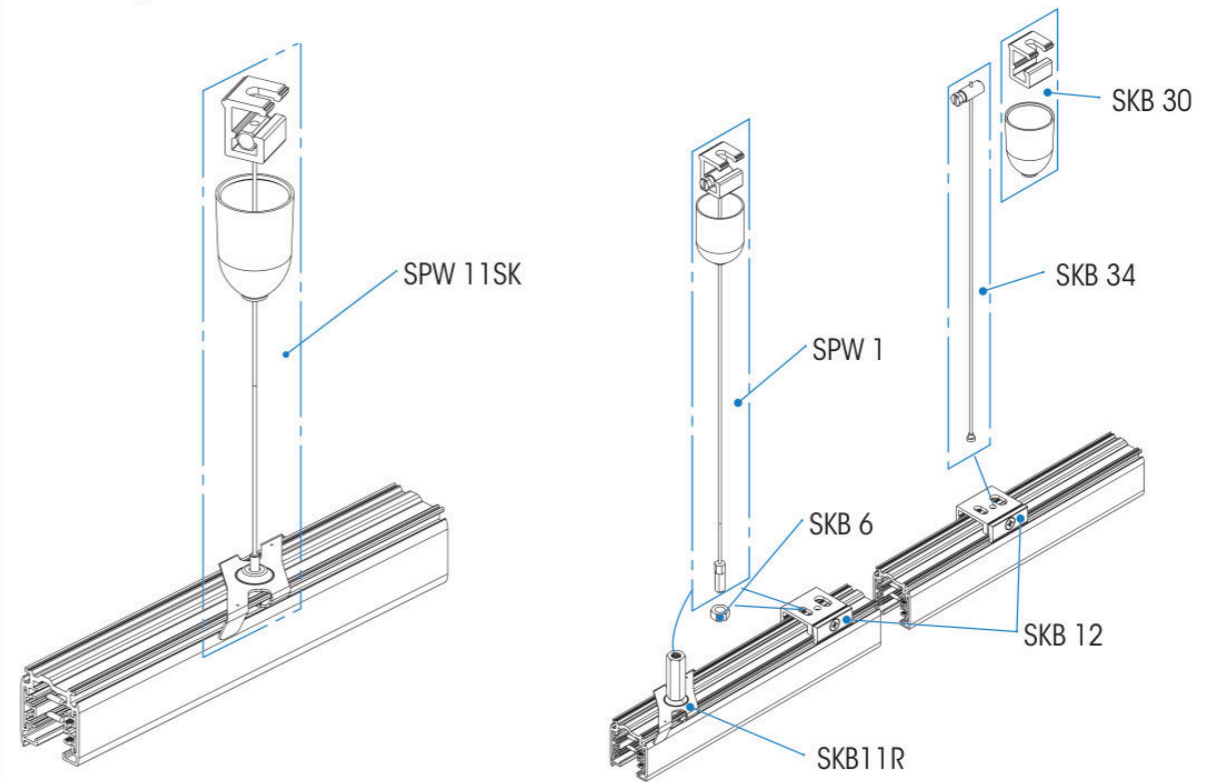
New diameter allows use of thicker wires/sleeved wires

Fmax 100N Steel wire with plastic sleeve 1.0 - 2.4 mm
Fmax 150N Steel twisted wire 1.3 - 2.4 mm

Wire Suspension



Wire Suspension



Global Trac Suspension parts



General Suspension Parts (PRO, PULSE, BASE -Series):

Purchase Code	Type	EAN code	Description	Fmax	Colour	PCS / Package
KKT315438	SPR6-2	6410014506872	Rod M6 1M set	200N	Black	10
KKT315440	SPR6-3	6410014507879	Rod M6 1M set	200N	White	10

KKT315435	SPR61-2	6410014506902	Rod M6 extension 1M set	200N	Black	10
KKT315436	SPR61-3	6410014507909	Rod M6 extension 1M set	200N	White	10

KKT315428	SKB40-1	6410014502485	Adjusting sleeve for M6	200N	Steel	10
KKT315460	SPW40-1	6410014502492	Height adjusting for wire 1.5	150N	Steel	10

KKT315467	SPW66-1	6410014535162	Height adjusting for wire 1.5	150N	Steel	100
-----------	---------	---------------	-------------------------------	------	-------	-----

KKT315431	SKB 6-1	6410014502416	Nut M6	200N	Steel	100
KKT31541	LOCKNUT 27	6410014502126	Lock nut for wire	150N	Steel	100

KKT31543	SKB30-1	6410014522742	Ceiling clamp	200N	Grey	1/200
KKT31544	SKB30-2	6410014502447	Ceiling clamp	200N	Black	1/200
KKT31547	SKB30-3	6410014530303	Ceiling clamp	200N	White	1/200

KKT315420	SKB34-1	6410014502348	Wire 1.5M + Locknut 27	150N	Steel	10/200
KKT315421	SKB34-1/3M	6410014522674	Wire 3M + Locknut 27	150N	Steel	10/200
KKT315423	SKB34-1/5M	6410014522681	Wire 5M + Locknut 27	150N	Steel	10/200

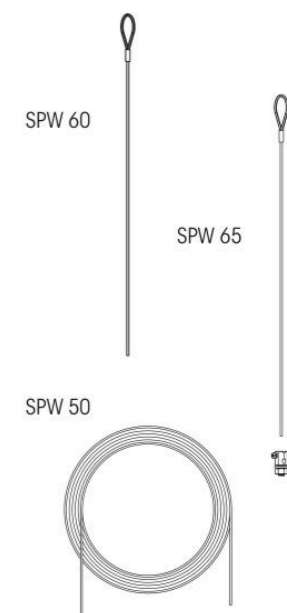
KKT315443	SPW1-1	6410014522698	Wire 1.5M with M6 mounting	150N	Grey	1/100
KKT315441	SPW1-1/3M	6410014500474	Wire 1.5M with M6 mounting	150N	Grey	1/100
KKT315450	SPW1-1/5M	6410014500481	Wire 1.5M with M6 mounting	150N	Grey	1/100
KKT315444	SPW1-2	6410014506865	Wire 3M with M6 mounting	150N	Black	1/100
KKT315445	SPW1-2/3M	6410014522704	Wire 3M with M6 mounting	150N	Black	1/100
KKT315447	SPW1-2/5M	6410014522711	Wire 3M with M6 mounting	150N	Black	1/100
KKT315452	SPW1-3	6410014507862	Wire 5M with M6 mounting	150N	White	1/100
KKT315453	SPW1-3/3M	6410014522728	Wire 5M with M6 mounting	150N	White	1/100
KKT315455	SPW1-3/5M	6410014522735	Wire 5M with M6 mounting	150N	White	1/100

General Suspension Parts (PRO, PULSE, BASE -Series):

Purchase Code	Type	EAN code	Description	Fmax	Colour	PCS / Package
KKT3154661	SPW60-1	6410014501891	Wire 1.5M loop	150N	Steel	1/100
KKT3154662	SPW60-1/3M	6410014501907	Wire 3M loop	150N	Steel	1/100
KKT3154663	SPW60-1/5M	6410014501914	Wire 5M loop	150N	Steel	1/100

KKT315466	SPW65-1	6410014533151	Wire 1.5M loop+ SPW66	150N	Steel	1/100
KKT31546633	SPW65-1/3M	6410014501921	Wire 3M loop + SPW66	150N	Steel	1/100
KKT31546655	SPW65-1/5M	6410014501938	Wire 5M loop + SPW66	150N	Steel	1/100

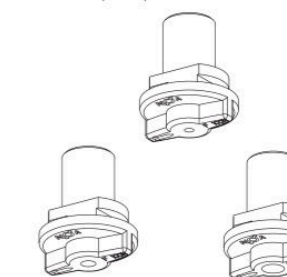
KKT315461	SPW50-1	6410014502508	Wire 50M roll	150N	Steel	1/10
-----------	---------	---------------	---------------	------	-------	------



Suspension From Track (Pro, Pulse -Series):

KKT3014132	XTAK 142-1	6410014507435	2mm hook suspension	100N	Grey	50/250
KKT3014126	XTAK 142-2	6410014506421	2mm hook suspension	100N	Black	50/250
KKT3014127	XTAK 142-3	6410014507428	2mm hook suspension	100N	White	50/250
KKT3014133	XTAK 144-1	6410014507459	M4mm nut/rod suspension	100N	Grey	50/250
KKT3014128	XTAK 144-2	6410014506445	M4mm nut/rod suspension	100N	Black	50/250
KKT3014129	XTAK 144-3	6410014507442	M4mm nut/rod suspension	100N	White	50/250
KKT3014134	XTAK 146-1	6410014507473	M6mm nut/rod suspension	100N	Grey	50/250
KKT3014130	XTAK 146-2	6410014506469	M6mm nut/rod suspension	100N	Black	50/250
KKT3014131	XTAK 146-3	6410014506466	M6mm nut/rod suspension	100N	White	50/250

Hook base
XTAK 142, 144, 146



General Track Accessories:

KKT3011131	XTSF40-1	6410014500436	Outlet/cover plate for feed	-	Grey	1/100
KKT3012192	XTSF40-2	6410014506636	Outlet/cover plate for feed	-	Black	1/100
KKT3012193	XTSF40-3	6410014507633	Outlet/cover plate for feed	-	White	1/100

XTSF 40



KKT3014116	XTAK 11-1	6410014500795	Hook 2mm, XTAK142 & GBA14	100N	Steel	100/1000
------------	-----------	---------------	---------------------------	------	-------	----------

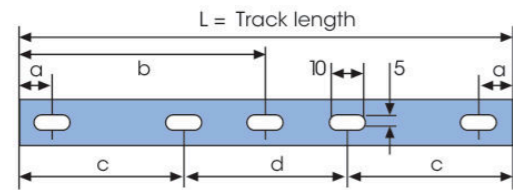
Hook
XTAK 11



● *Wide Range of Mounting Accessories
For All Suspension Needs*

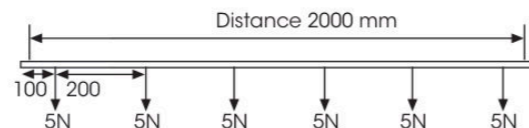
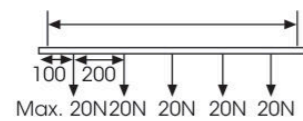
Global Trac Suspension parts Base

Predrilled Mounting Holes for Base Tracks:



L/mm	a/mm	b/mm	c/mm	d/mm
1000	250			
2000	250	1000		
3000	250		1000	1000

Load Capacity:



The Recommended fastening distance is 1000 mm



Hook base



Track Mounting Clamps (BASE -Series):

Purchase Code	Type	EAN code	Description	Fmax	Colour	PCS/ Package
KKT30344	GBS18-9	6410014508180	Long clamp with M6 thread	200N	Alu	10/200
KKT30345	GBS33-9	6410014508333	Short clamp with M6 thread	200N	Alu	20/200

Suspension from Track (BASE -Series):

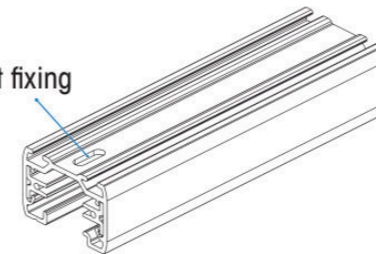
KKT30341	GBA14-1	6410014509811	2mm hook suspension	100N	Grey	50/250
KKT30342	GBA14-2	6410014508807	2mm hook suspension	100N	Black	50/250
KKT30343	GBA14-3	6410014509804	2mm hook suspension	100N	White	50/250

KKT3014116	XTAK 11-1	6410014500795	Hook 2mm, XTAK142 & GBA14	100N	Steel	100/1000
------------	-----------	---------------	---------------------------	------	-------	----------

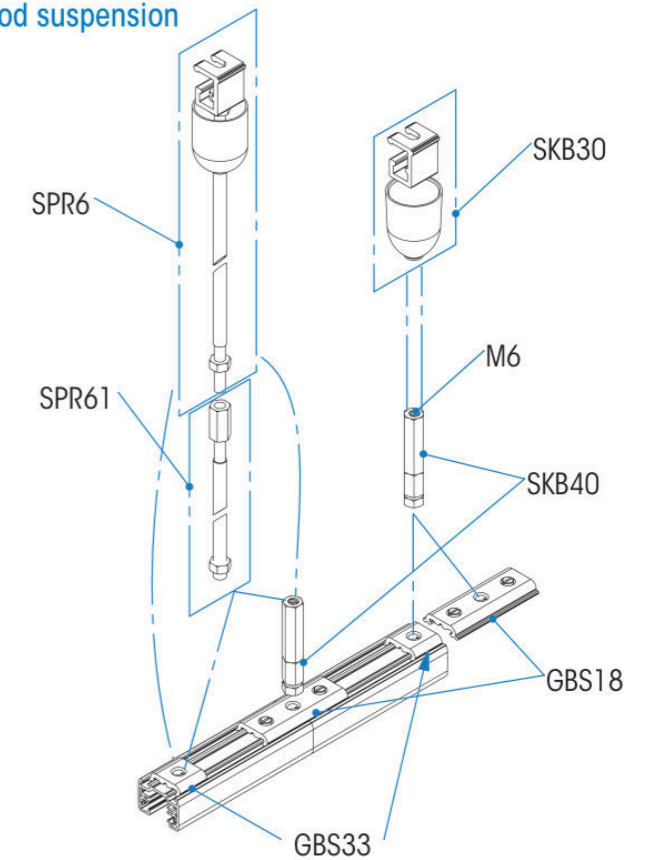
Global Trac Base – Suspension Options

Direct

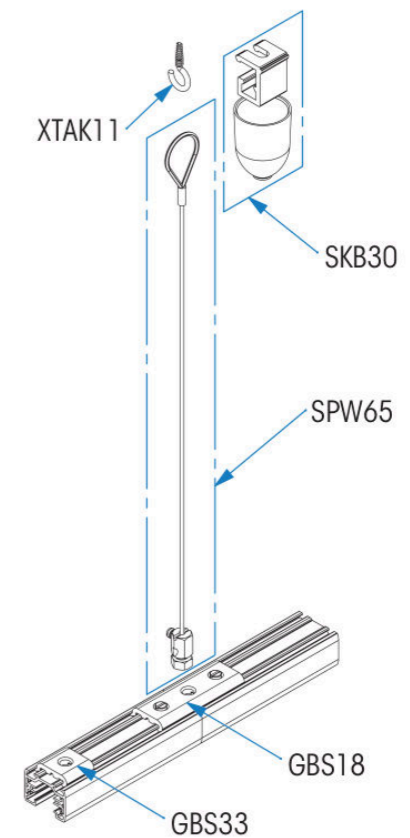
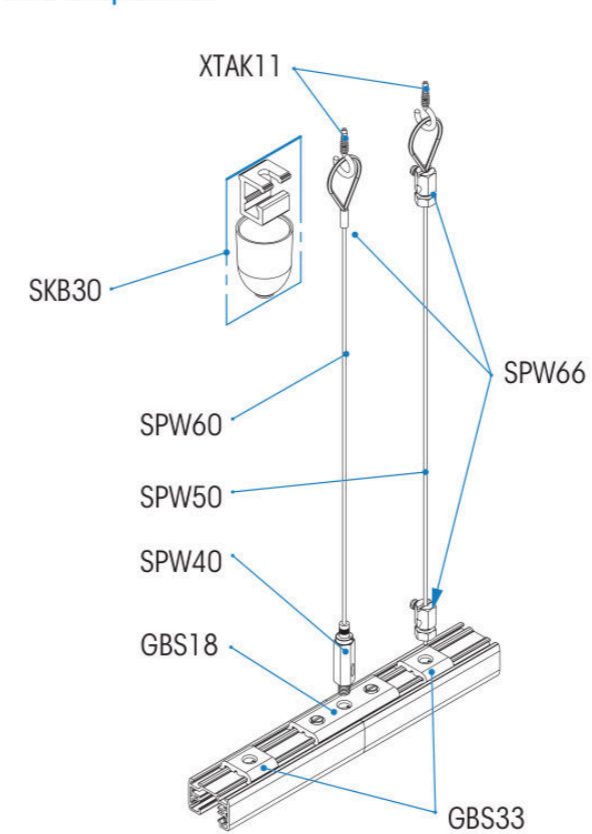
Direct fixing



Rod suspension



Wire Suspension

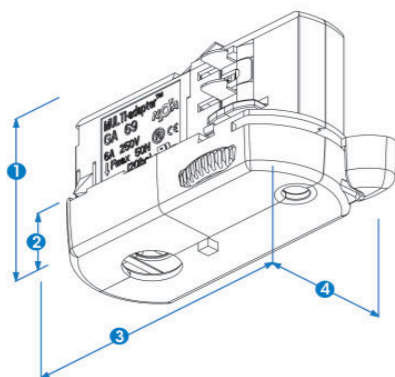


3-Circuit MULTI Adapter™

Adapters 3-Circuit Pro:

Purchase Code	Type	EAN code	Description	Colour	PCS /Package
KKT30131	GA69-1	6410014530747	6A 50N Slot connection	Grey	100
KKT30132	GA69-2	6410014520694	6A 50N Slot connection	Black	100
KKT30133	GA69-3	6410014530693	6A 50N Slot connection	White	100

GA 69
1. 40 mm 2. 14 mm
3. 70 mm 4. 32 mm

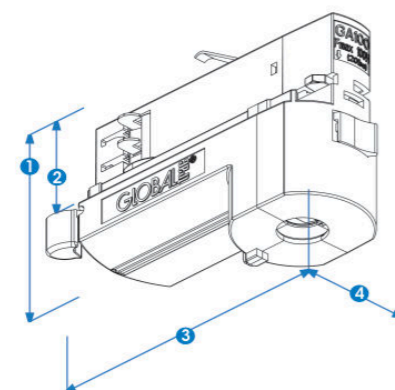


GA 69 Wiring Options

- To be used with stranded 0.5 ... 1.0mm² wire
- Slot Connection. The conductors are pressed into the connections by the connector lid or by the cable mounting tool. GA 69CT.
- Optional cable grip CG 69.

KKT301393	GA100-1	6410014530006	10A 100N Slot connection	Grey	1/100
KKT301394	GA100-2	6410014531003	10A 100N Slot connection	Black	1/100
KKT301395	GA100-3	6410014532000	10A 100N Slot connection	White	1/100
KKT3013104	GA100L-1	6410014501242	10A 100N Slot connection	Grey	100
KKT3013105	GA100L-2	6410014501259	10A 100N Slot connection	Black	100
KKT3013106	GA100L-3	6410014501266	10A 100N Slot connection	White	100

GA 100
1. 53 mm 2. 26 mm
3. 84 mm 4. 32 mm

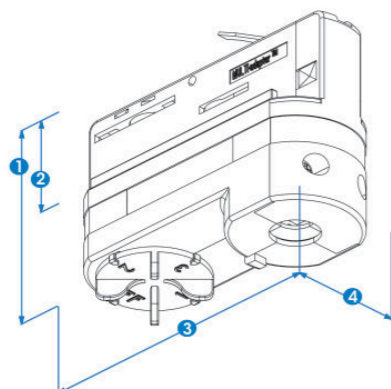


GA 100 Wiring Options

- To be used with stranded 0.5 ... 1.0mm² wire
- Slot Connection. The conductors are pressed into the connectors by the connector lid or by the cable mounting tool. GB 66CT.
- Optional cable grip CG 100.

KKT301351	XTSA68-1	6410014530730	10A 100N Screw connection	Grey	1/100
KKT301352	XTSA68-2	6410014520687	10A 100N Screw connection	Black	1/100
KKT301357	XTSA68-3	6410014530686	10A 100N Screw connection	White	1/100
KKT301362	XTSA68L-1	6410014501273	10A 100N Screw connection	Grey	100
KKT301363	XTSA68L-2	6410014501280	10A 100N Screw connection	Black	100
KKT301365	XTSA68L-3	6410014501297	10A 100N Screw connection	White	100

XTSA 68
1. 55 mm 2. 26 mm
3. 84 mm 4. 32 mm



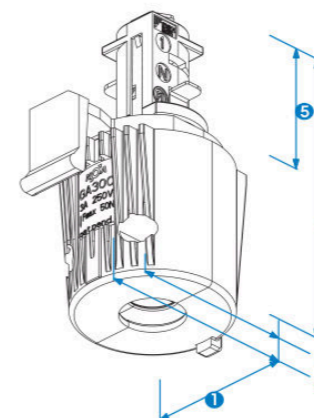
XTSA 68 Wiring Options

- To be used with stranded 0.5 ... 1.5mm² wire
- Optional cable grip CG 75

3-Circuit Adapters

Purchase Code	Type	EAN code	Description	Colour	PCS /Package
KKT301402	GA300-1	6410014530433	3A 50N Slot connection	Grey	1/100
KKT301403	GA300-2	6410014530440	3A 50N Slot connection	Black	1/100
KKT301404	GA300-3	6410014530457	3A 50N Slot connection	White	1/100
KKT301405	GA300L-1	6410014530464	3A 50N Slot connection	Grey	100
KKT301406	GA300L-2	6410014530471	3A 50N Slot connection	Black	100
KKT301407	GA300L-3	6410014530488	3A 50N Slot connection	White	100
KKT3014051	GA300PP-1	6410014501303	Mechanical support only	Grey	100
KKT3014052	GA300PP-2	6410014501310	Mechanical support only	Black	100
KKT3014053	GA300PP-3	6410014501327	Mechanical support only	White	100

GA 300
1. 32 mm 2. 44 mm 3. 36 mm
4. 62 mm 5. 27 mm

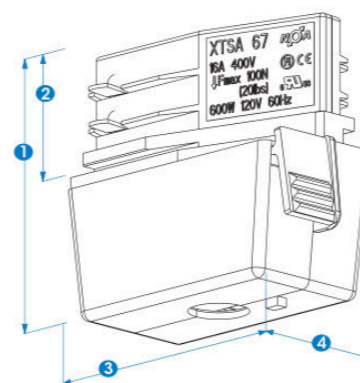


GA 300 Wiring Options

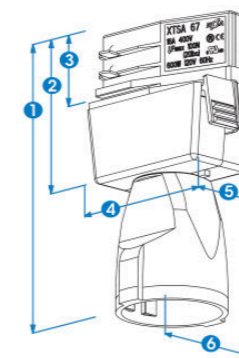
- To be used with stranded 0.5 ... 1.0mm² wire
- Slot Connection. The conductors are pressed into the connections by the Slot Plug (included)
- Optional cable grip CG 100

KKT3013461	XTSA67-1	6410014500467	16A 100N Screw connection	Grey	1/100
KKT301346	XTSA67-2	6410014520670	16A 100N Screw connection	Black	1/100
KKT301348	XTSA67-3	6410014530679	16A 100N Screw connection	White	1/100
KKT3013460	XTSA67L-2	6410014501334	16A 100N Screw connection	Black	100
KKT301349	XTSA67L-3	6410014501341	16A 100N Screw connection	White	100
KKT3013120	XTSA67S-2	6410014500443	Schuko adapter	Black	1/50
KKT3013100	XTSA67S-3	6410014531676	Schuko adapter	White	1/50
KKT315498	XTSK 17-1	6410014501358	Mechanical support only	Grey	1/100
KKT315462	XTSK 17-2	6410014520175	Mechanical support only	Black	1/100
KKT315464	XTSK 17-3	6410014530174	Mechanical support only	White	1/100

XTSA 67
1. 60 mm 2. 28 mm 3. 60 mm 4. 32 mm



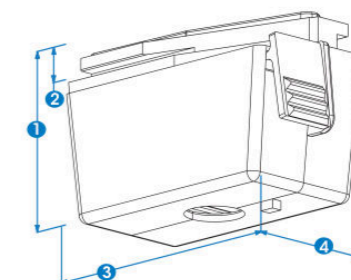
XTSA 67S
1. 112 mm 2. 60 mm 3. 28 mm
4. 60 mm 5. 32 mm 6. 47 mm



XTSA 67 Wiring Options

- 1-Circuit: Connecting max. 1.5 ... 2.5mm² wire
- 3-Phase: Connecting max. 5x 1.5mm² wire

XTSK 17
1. 40 mm 2. 8 mm 3. 60 mm 4. 32 mm

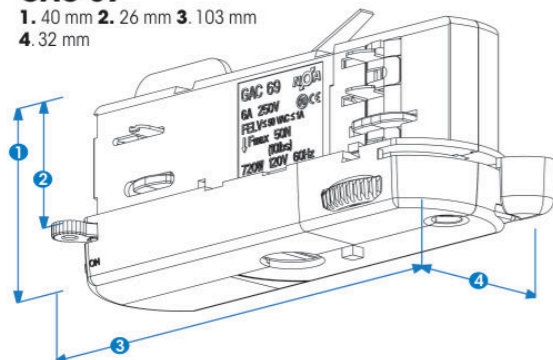


*Mechanical support only

Pulse DALI 3-Circuit Adapters

Purchase Code	Type	EAN code	Description	Colour	PCS /Package
KKT30691	GAC69-1	6410014501860	6A 50N Slot connection	Grey	1/50
KKT30692	GAC69-2	6410014501877	6A 50N Slot connection	Black	1/50
KKT30693	GAC69-3	6410014501884	6A 50N Slot connection	White	1/50
KKT30694	GAC69L-1	6410014501365	6A 50N Slot connection	Grey	50
KKT30695	GAC69L-2	6410014501372	6A 50N Slot connection	Black	50
KKT30696	GAC69L-3	6410014501389	6A 50N Slot connection	White	50

GAC 69
1. 40 mm 2. 26 mm 3. 103 mm
4. 32 mm

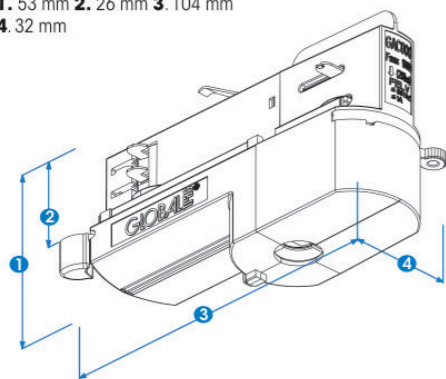


GAC 69 Wiring Options:

- To be used with stranded 0.5 ... 1.0mm² wire
- Slot Connection. The conductors are pressed into the connectors by the connector lid or by the cable mounting tool. GA 69CT.
- Optional cable grip CG 69.
- Control signal with screw connectors 0.5 ... 1,0mm² wire

KKT306001	GAC600-1	6410014532925	10A 100N Slot connection	Grey	1/50
KKT306002	GAC600-2	6410014532932	10A 100N Slot connection	Black	1/50
KKT306003	GAC600-3	6410014532949	10A 100N Slot connection	White	1/50
KKT306011	GAC600L-1	6410014501396	10A 100N Slot connection	Grey	50
KKT306012	GAC600L-2	6410014501402	10A 100N Slot connection	Black	50
KKT306013	GAC600L-3	6410014501419	10A 100N Slot connection	White	50
KKT306004	GAC600LX-1	6410014501426	10A 100N Slot connection	Grey	50
KKT306005	GAC600LX-2	6410014501433	10A 100N Slot connection	Black	50
KKT306006	GAC600LX-3	6410014501440	10A 100N Slot connection	White	50

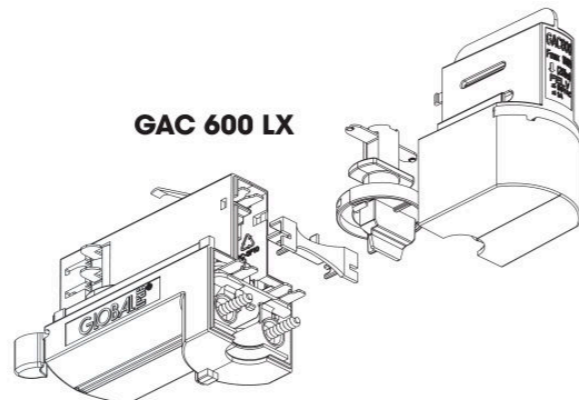
GAC 600
1. 53 mm 2. 26 mm 3. 104 mm
4. 32 mm



GAC 600 Wiring Options:

- To be used with stranded 0.5 ... 1.0mm² wire
- Slot Connection. The conductors are pressed into the connectors by the connector lid or by the cable mounting tool. GB 66CT.
- Optional cable grip CG 100.
- Control signal with screw connectors 0.5 ... 0,7mm² wire

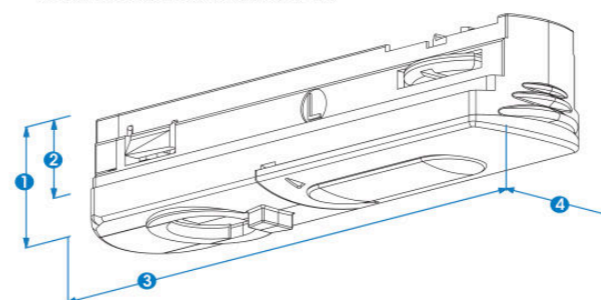
GAC 600 LX



1-Circuit Adapters

Purchase Code	Type	EAN code	Description	Colour	PCS /Package
KKT30333	GB66-1	6410014509651	6A 30N Slot connection	Grey	1/100
KKT30334	GB66-2	6410014508661	6A 30N Slot connection	Black	1/100
KKT30336	GB66-3	6410014509668	6A 30N Slot connection	White	1/100
KKT303339	GB66L-1	6410014501457	6A 30N Slot connection	Grey	100
KKT303317	GB66L-2	6410014501464	6A 30N Slot connection	Black	100
KKT303319	GB66L-3	6410014501471	6A 30N Slot connection	White	100

GB 66
1. 16 mm 2. 10 mm 3. 78 mm 4. 19 mm

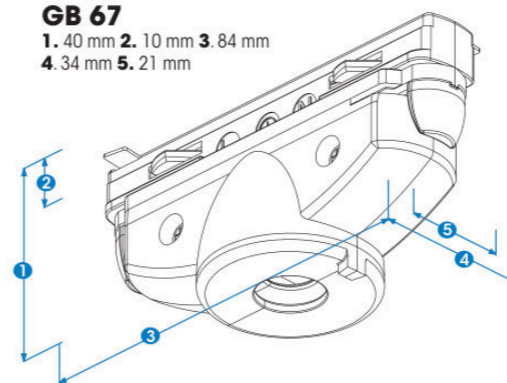


GB 66 Wiring Options:

- To be used with stranded 0.5 ... 1.0mm² wire
- Slot Connection. The conductors are pressed into the connectors by the connector lid or by the cable mounting tool. GB 66CT.

KKT303321	GB67-1	6410014509736	16A 100N Screw connection	Grey	1/100
KKT303322	GB67-2	6410014508678	16A 100N Screw connection	Black	1/100
KKT303323	GB67-3	6410014509675	16A 100N Screw connection	White	1/100
KKT303327	GB67L-1	6410014501488	16A 100N Screw connection	Grey	100
KKT303328	GB67L-2	6410014501495	16A 100N Screw connection	Black	100
KKT303329	GB67L-3	6410014501501	16A 100N Screw connection	White	100
KKT3033271	GB67M-1	6410014500214	16A 100N Screw connection	Grey	100
KKT3033281	GB67M-2	6410014500221	16A 100N Screw connection	Black	100
KKT3033291	GB67M-3	6410014500238	16A 100N Screw connection	White	100
KKT303346	GB67S-2	6410014500450	Schuko adapter	Black	1/50
KKT303340	GB67S-3	6410014509682	Schuko adapter	White	1/50

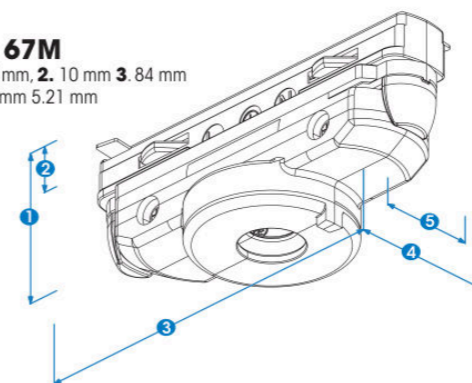
GB 67
1. 40 mm 2. 10 mm 3. 84 mm
4. 34 mm 5. 21 mm



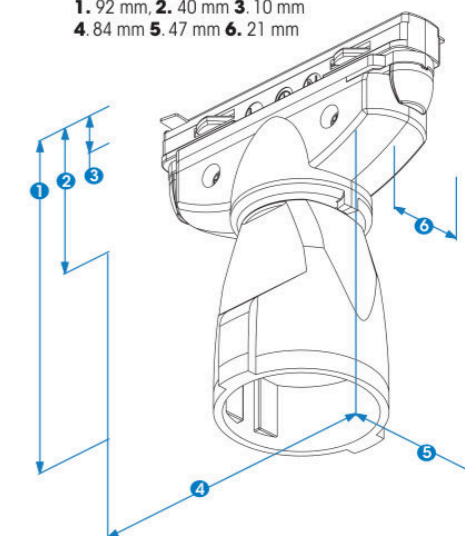
GB 67 Wiring Options:

- 1-Circuit: Connecting max. 1.5 ... 2.5mm² wire
- Optional cable grip CG 69 (Not suitable for GB 67M)

GB 67M
1. 33 mm 2. 10 mm 3. 84 mm
4. 34 mm 5. 21 mm



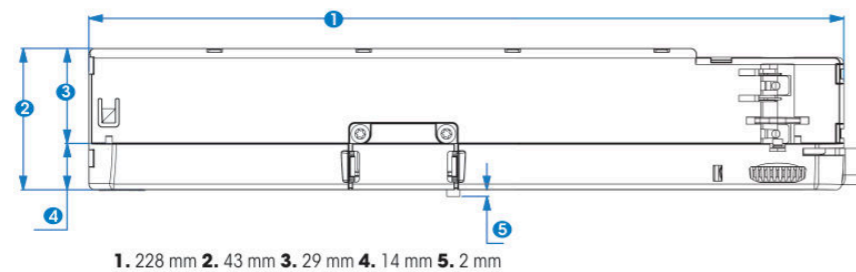
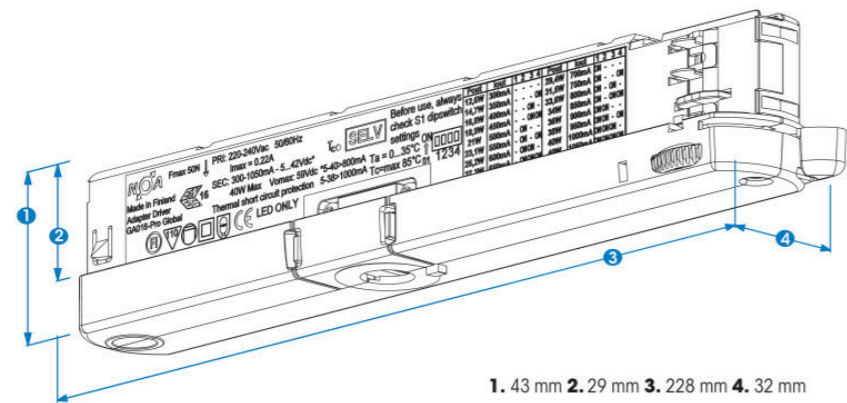
GB 67S
1. 92 mm 2. 40 mm 3. 10 mm
4. 84 mm 5. 47 mm 6. 21 mm



Global Trac In-Track Adapter-Drivers

3-Circuit Adapter-Drivers:

Purchase Code	Type	EAN code	Description	Fmax	Colour	PCS / Package
LIV3013171	GA016-1-Pro Global	6413631176879	300-1050mA : 12,6-40W	50N	Grey	44/2112
LIV3013172	GA016-2-Pro Global	6413631176886	300-1050mA : 12,6-40W	50N	Black	44/2112
LIV3013173	GA016-3-Pro Global	6413631176893	300-1050mA : 12,6-40W	50N	White	44/2112

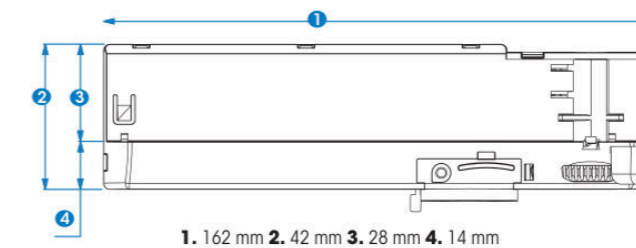
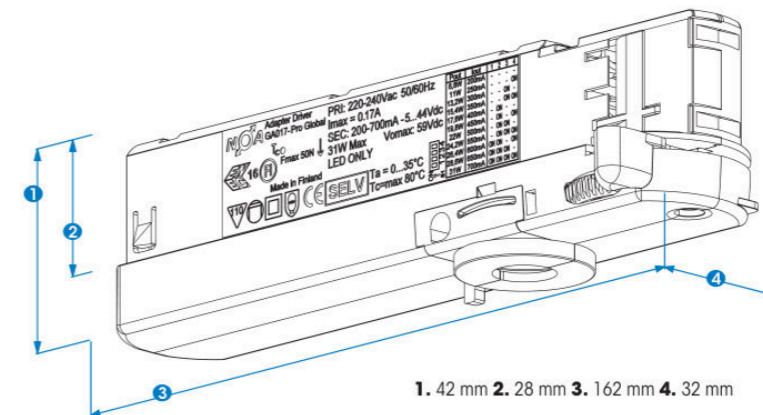


NOVA Fmax 50N ↓ PRI: 220-240Vac 50/60Hz lmax = 0.22A Made in Finland Adapter Driver GA016-Pro Global Thermal short circuit protection LED ONLY	SEC: 300-1050mA - 5...42Vdc* 40W Max Vomax: 59Vdc *5-40>800mA 5-38>1000mA Tc = 0...35°C Tc = max 85°C	Post	1	2	3	4	Post	1	2	3	4
		12,6W	300mA	- - -	29,6W	700mA	CH - - -				
		14,7W	380mA	- - -	31,6W	780mA	CH - - -				
		16,8W	400mA	- - -	33,6W	800mA	CH - - -				
		18,9W	480mA	- - -	36W	880mA	CH - - -				
		21W	500mA	- - -	38W	900mA	CH - - -				
		23,1W	580mA	- - -	39W	980mA	CH - - -				
		25,2W	600mA	- - -	40W	1000mA	CH - - -				
		27,3W	680mA	- - -	40W	1080mA	CH - - -				

- The Original & Genuine Global Trac Adapter-Drivers Invented, Designed and Made in Finland

3-Circuit Adapter-Drivers:

Purchase Code	Type	EAN code	Description	Fmax	Colour	PCS / Package
LIV3013181	GA017-1-Pro Global	6413631176909	200-700mA : 8,8-31W	50N	Grey	20/1920
LIV3013182	GA017-2-Pro Global	6413631176916	200-700mA : 8,8-31W	50N	Black	20/1920
LIV3013183	GA017-3-Pro Global	6413631176923	200-700mA : 8,8-31W	50N	White	20/1920



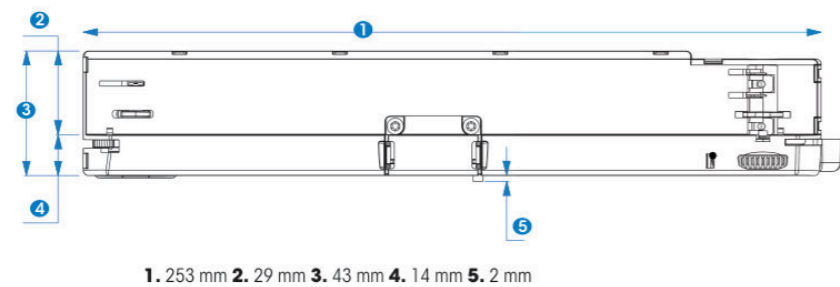
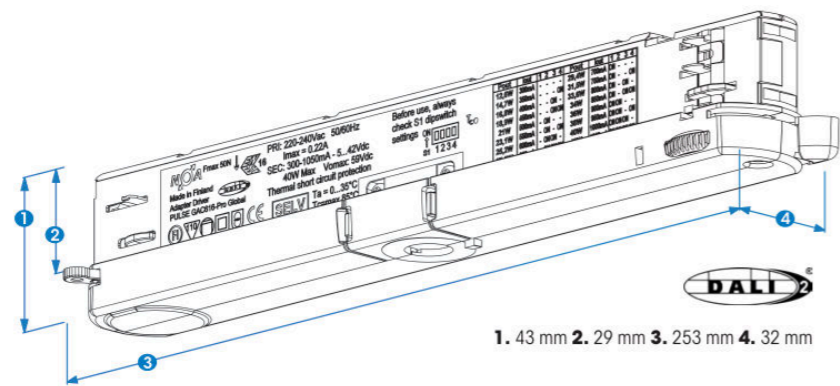
NOVA Adapter Driver GA017-Pro Global Fmax 50N ↓ PRI: 220-240Vac 50/60Hz lmax = 0.17A Made in Finland LED ONLY Thermal short circuit protection LED ONLY	SEC: 200-700mA - 5...44Vdc 31W Max Vomax: 59Vdc Tc = 0...35°C Tc = max 80°C	Post	1	2	3	4	Post	1	2	3	4
		8,8W	200mA	- - -	29,6W	700mA	CH - - -				
		11W	250mA	- - -	31,6W	780mA	CH - - -				
		13,2W	300mA	- - -	33,6W	800mA	CH - - -				
		15,4W	350mA	- - -	36W	880mA	CH - - -				
		17,6W	400mA	- - -	38W	900mA	CH - - -				
		19,8W	450mA	- - -	39W	980mA	CH - - -				
		22W	500mA	- - -	40W	1000mA	CH - - -				
		24,2W	550mA	- - -	40W	1080mA	CH - - -				

- Compatible With All Professional 3-Circuit Tracks

Global Trac In-Track Adapter-Drivers

Pulse DALI 3-Circuit Adapter-Drivers:

Purchase Code	Type	EAN code	Description	Fmax	Colour	PCS / Package
LIV3013191	GAC616-1-Pro Global	6413631176930	300-1050mA : 12,6-40W	50N	Grey	10/1440
LIV3013192	GAC616-2-Pro Global	6413631176947	300-1050mA : 12,6-40W	50N	Black	10/1440
LIV3013193	GAC616-3-Pro Global	6413631176954	300-1050mA : 12,6-40W	50N	White	10/1440



NOVA Fmax 50N
 Made in Finland
 Adapter Driver
 PULSE GAC616-Pro Global

PRI: 220-240Vac 50/60Hz
 Imax = 0.22A
 SEC: 300-1050mA - 5...42Vdc
 40W Max Vomax: 59Vdc
 Thermal short circuit protection
 Ta = 0...35°C
 Tc = max 85°C

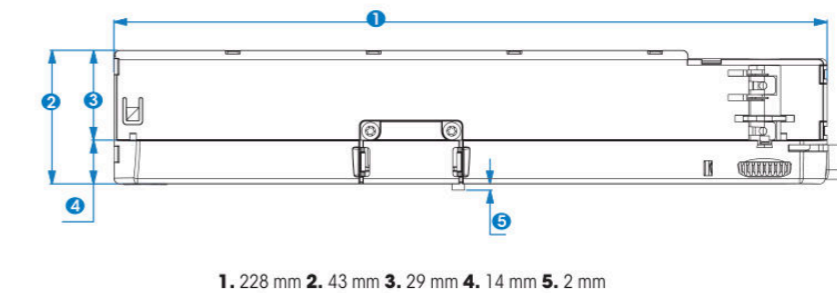
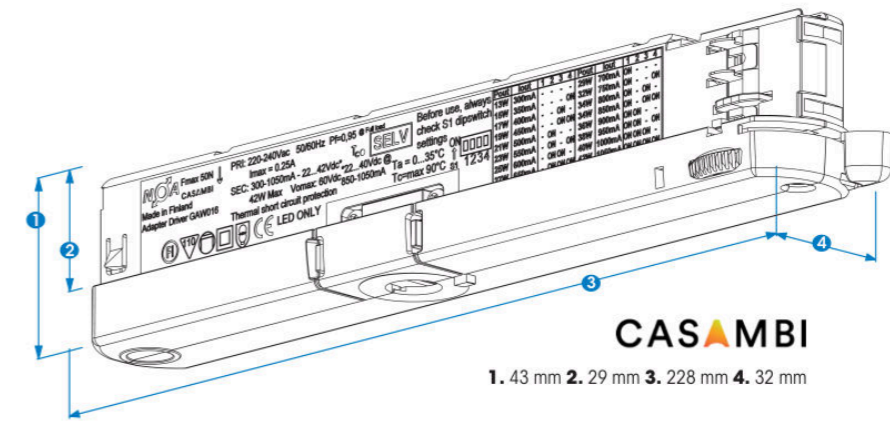
Before use, always check S1 dipswitch settings ON S1 1 2 3 4

Pout	Iout	1	2	3	4	Pout	Iout	1	2	3	4
12,6W	300mA	-	-	-	-	29,6W	700mA	ON	-	-	-
14,7W	350mA	-	-	ON	-	31,8W	750mA	ON	-	-	ON
16,8W	400mA	-	-	ON	ON	33,8W	800mA	ON	-	-	ON
18,9W	450mA	-	-	ON	ON	34W	800mA	ON	ON	-	ON
21W	500mA	-	-	ON	ON	38W	900mA	ON	ON	-	ON
23,1W	550mA	-	-	ON	ON	38W	900mA	ON	ON	-	ON
25,2W	600mA	-	-	ON	ON	40W	1000mA	ON	ON	-	ON
27,3W	650mA	-	-	ON	ON	40W	1000mA	ON	ON	-	ON

- Create Your Dynamic Lighting Easily with GAC-616

Wireless Smart Controlled 3-Circuit Adapter-Drivers:

Purchase Code	Type	EAN code	Description	Fmax	Colour	PCS / Package
LIV30134811	GAW016-1 Casambi	6413631175407	300-1050mA : 12,6-42W	50N	Grey	44/2112
LIV30134821	GAW016-2 Casambi	6413631175414	300-1050mA : 12,6-42W	50N	Black	44/2112
LIV30134831	GAW016-3 Casambi	6413631175421	300-1050mA : 12,6-42W	50N	White	44/2112



NOVA Fmax 50N
 Made in Finland
 Adapter Driver
 CASAMBI GAW016

PRI: 220-240Vac 50/60Hz Pfi=0,95 Full load
 Imax = 0.25A
 SEC: 300-1050mA - 22...42Vdc* 22...40Vdc
 42W Max Vomax: 60Vdc
 Thermal short circuit protection
 Ta = 0...35°C
 Tc = max 90°C

Before use, always check S1 dipswitch settings ON S1 1 2 3 4

Pout	Iout	1	2	3	4	Pout	Iout	1	2	3	4
13W	300mA	-	-	-	-	29W	700mA	ON	-	-	-
16W	350mA	-	-	ON	-	32W	750mA	ON	-	-	ON
17W	400mA	-	-	ON	-	34W	800mA	ON	-	-	ON
19W	450mA	-	-	ON	ON	34W	800mA	ON	ON	-	ON
21W	500mA	-	-	ON	ON	38W	900mA	ON	ON	-	ON
23W	550mA	-	-	ON	ON	38W	900mA	ON	ON	-	ON
25W	600mA	-	-	ON	ON	40W	1000mA	ON	ON	-	ON
27W	650mA	-	-	ON	ON	42W	1000mA	ON	ON	-	ON

- The Original & Genuine Global Trac Adapter-Drivers Invented, Designed and Made in Finland



Our **comprehensive portfolio of track lighting systems** is designed to fully meet the lighting challenges of today.

We are all about innovative engineering, sustainability and authenticity. We set the standard in manufacturing the world's most used electrical track solutions known as **GLOBAL^{track}**

Ready to Deliver Around the Globe – From Finland Directly to Your Warehouse

Nordic Aluminium holds valid certifications enabling **export all around the globe**. Continuous product development in line with present-day international safety standards is an essential part of our business.



As a result, our track systems come with many certificates such as: *)



**) Certificates to vary regionally and between product families*

Don't Hesitate to Contact Us for Your Track Lighting Needs, Wherever You Are in the World

Shop Lighting for Pro & Pulse Tracks

Nordic Aluminium offers an **extensive range of track lights** particularly designed for **Shop & Retail**. Equipped with the inventive and popular GA- Adapter-Driver for extremely competitive price / pallet.



GA-016 Casa

11-28W : 800 - 3000 Lm
15°, 21°, 32°, 46°

827, 830, 840, 927, 930, 930
Premium White, 930 Premium Color,
930 Crisp White, 935, 940, Meat,
Bakery, Brilliant Vivid



GA-016 Standard

11-34W : 800 - 3500 Lm
15°, 3d 24°, 3d 36°, 3d 55°

827, 830, 840, 927, 930, 930
Premium White, 930 Premium Color,
930 Crisp White, 935, 940, Meat,
Bakery, Brilliant Vivid



GA-016 Cafeteria

11-42W : 800 - 4200 Lm
15°, 3d 24°, 3d 36°, 3d 55°

827, 830, 840, 927, 930, 930
Premium White, 930 Premium Color,
930 Crisp White, 935, 940, Meat,
Bakery, Brilliant Vivid



GA-016 Art

11-36W : 800 - 3700 Lm
15°, 3d 24°, 3d 36°, 3d 55°

827, 830, 840, 927, 930, 930
Premium White, 930 Premium Color,
930 Crisp White, 935, 940, Meat,
Bakery, Brilliant Vivid



GA-016 Dingo

11-42W : 800 - 3600 Lm
15°, 3d 28°, 35°, 3d 50°

827, 830, 840, 927, 930, 930
Premium White, 930 Premium Color,
930 Crisp White, 935, 940, Meat,
Bakery, Brilliant Vivid



GA-016 Lean

11-42W : 800 - 4400 Lm
10°, 20°, 30°, 40°, 50°, 60°

827, 830, 840, 927, 930, 930
Premium White, 930 Premium Color,
930 Crisp White, 935, 940, Meat,
Bakery, Brilliant Vivid

Linear LED Lights for Pro & Pulse Tracks

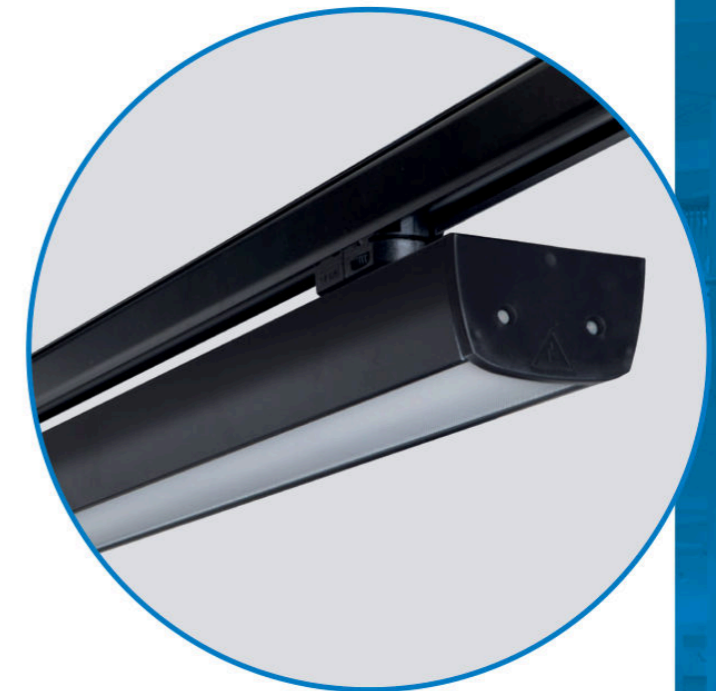
Flexible and clean **track mounted** linear LED solutions for all retail spaces. By using Global Trac, you can easily adapt our lighting to fit into your store's unique layout.

Nano -Series

Opal, Microprismatic,
Double Asymmetric
830, 840, 930, 935, 950, 965

800mm
30-55W: 3.900 – 7.200 Lm

1200mm
45-80W: 5.850 – 10.400 Lm



NanoX -Series

Opal, Microprismatic,
Double Asymmetric
830, 840, 930, 935, 950, 965

800mm
30-50W: 2.500 – 5.000 Lm

1200mm
45-80W: 3.700 – 8.000 Lm



- Nordic Aluminium is part of Lival Group



Lighting together with the Global Trac System is the Keyfactor for a store's success.



Global Trac allows you to change your light settings easily.



One stop shop. Everything you need from one place.

NORDIC  ALUMINIUM

Lival: Lukkarinmäentie 1, 04130 Sipoo, Finland
Nordic Aluminium: Kaapelitie 68, 02490 Pikkala, Finland
Tel.: +358 20 7660 200, globalinfo@nordicaluminium.fi, www.nordicaluminium.fi